

PRESENTED BY
STRUXURE WASHINGTON

PROJECT
SHANE & ROBYN MCARTHUR

ADDRESS
8609 SE 78TH ST MERCER
ISLAND, WA 98040

CONTRACT NO.
2106233

STRUXURE™

STRUXURE INC.
154 ETHAN ALLEN DRIVE
DAHLONEGA, GA 30533



SHEET INDEX

GENERAL NOTES	G
COVER PAGE	A100
PERSPECTIVE VIEW	A101
TOP VIEW	A102
BEAMS & GUTTER PLAN	A103
FAN & LIGHTS PLAN	A104
SECTION 1-1	A200
SECTION A-A	A201
DETAILS	A300
DETAILS	A301
DETAILS	A302
DETAILS	A303
DETAILS	A304
DETAILS	A305
DETAILS	A306
DETAILS	A307
DETAILS	A308
MOTOR SPECIFICATIONS	A400
REVISIONS	A500
TOTAL PAGES	19

NOTES

FRAME: BRONZE
LOUVERS: ADOBE
ELEVATION: AT GRADE

DURING SUCH PERIODS OF TIME AS ARE DESIGNATED BY THE U.S. WEATHER BUREAU AS A HIGH WIND OR SNOW ADVISORY FOR THE AREA, THIS SYSTEM MUST BE LOCKED IN THE OPEN POSITION, WITH THE LOUVER BLADES VERTICAL THE STRUCTURE SHALL ALSO NOT BE WALKED UPON AND IS NOT DESIGNED FOR HUMAN ACTIVITY OR STORAGE.

STRUXURE™

154 ETHAN ALLEN DR.
DAHLONEGA, GA 30533
(800) 303-5248



POSTAL ADDRESS:
401 W. ATLANTIC AVE R10 #219
DELRAY BEACH, FL 33444
ENGINEERINGEXPRESS.COM

IF THIS SHEET DOES NOT CONTAIN AN ORIGINAL SIGNATURE & ENGINEER SEAL, THE FILE SHALL REMAIN IN DIGITAL FORMAT AND PRINTED COPIES OF THIS DOCUMENT ARE NOT CONSIDERED VALID. ANY COPIES OF THIS SHEET MUST BE MADE FROM THE ORIGINAL DIGITAL FILE. THIS SHEET IS TO BE CONSIDERED A COPY/PRINT AND IS NOT CERTIFIED FOR APPROVAL OR PERMIT. FOR MORE INFORMATION, VISIT WWW.ENGINEERINGEXPRESS.COM

**SHANE & ROBYN
MCARTHUR**
8609 SE 78TH ST MERCER
ISLAND, WA 98040

DESCRIPTION

DATE
05/06/22

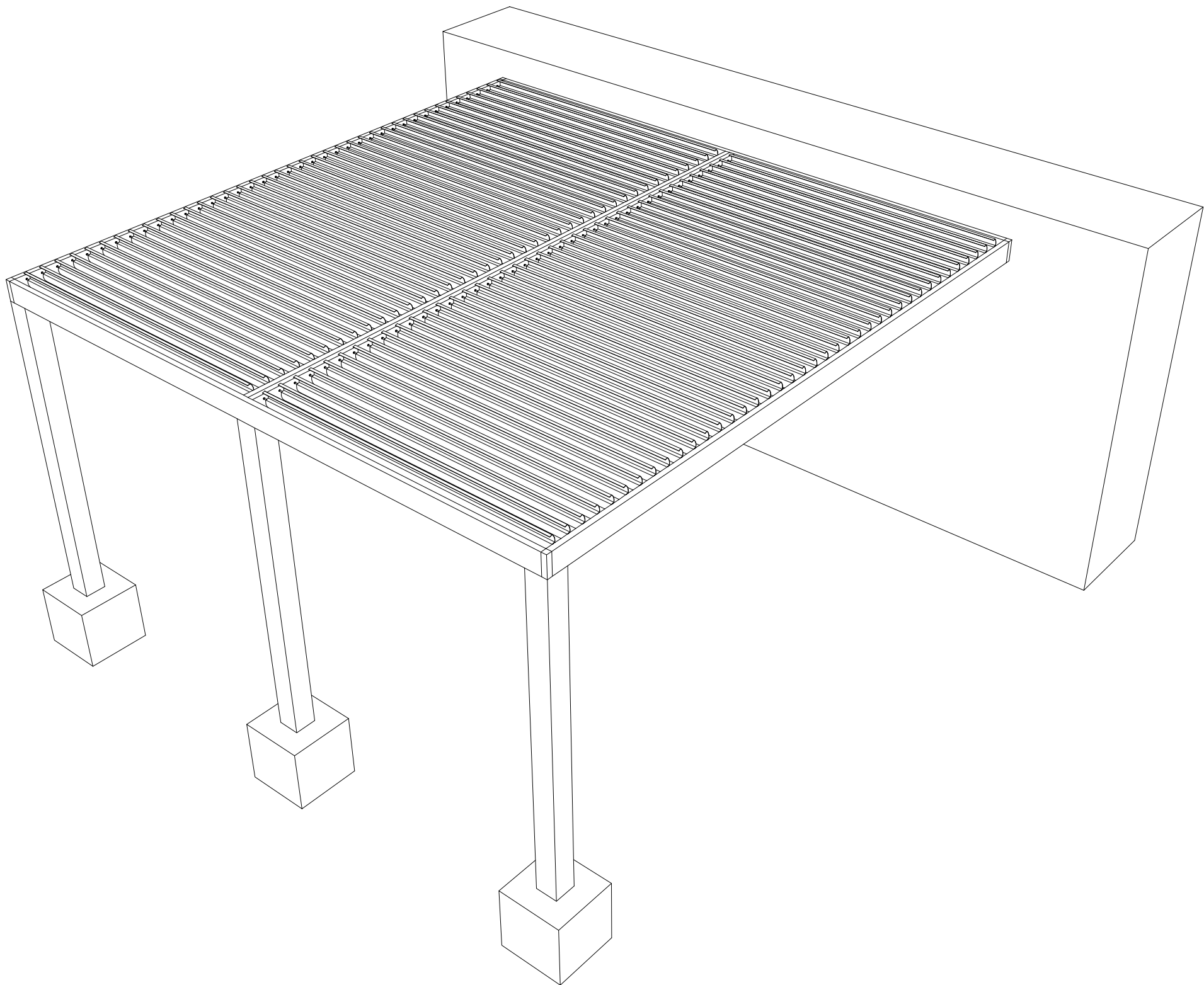
DRAWN BY
I&S

SCALE

SHEET NO.

A 100

ALUMINUM TYPE:
 LOUVERS 6063-T5
 ALL OTHER COMPONENTS 6063-T6



LEGEND

STRUXURETM
 154 ETHAN ALLEN DR.
 DAHLONEGA, GA 30533
 (800) 303-5248



ENGINEERING EXPRESS[®]
 POSTAL ADDRESS:
 401 W. ATLANTIC AVE R10 #219
 DELRAY BEACH, FL 33444
 ENGINEERINGEXPRESS.COM

IF THIS SHEET DOES NOT CONTAIN AN ORIGINAL SIGNATURE & ENGINEER SEAL, THE FILED COPY OF THIS DOCUMENT IS NOT VALID. THIS SHEET IS A COPY OF THE ORIGINAL DOCUMENT AND NOT THE ORIGINAL DOCUMENT. IT IS NOT TO BE REPRODUCED OR TRANSMITTED IN ANY FORM OR BY ANY MEANS, ELECTRONIC OR MECHANICAL, INCLUDING PHOTOCOPYING, RECORDING, OR BY ANY INFORMATION STORAGE AND RETRIEVAL SYSTEM. THIS SHEET IS TO BE CONSIDERED A COPY OF THE ORIGINAL DOCUMENT AND NOT THE ORIGINAL DOCUMENT. IT IS NOT TO BE REPRODUCED OR TRANSMITTED IN ANY FORM OR BY ANY MEANS, ELECTRONIC OR MECHANICAL, INCLUDING PHOTOCOPYING, RECORDING, OR BY ANY INFORMATION STORAGE AND RETRIEVAL SYSTEM.

**SHANE & ROBYN
 MCARTHUR**
 8609 SE 78TH ST
 MERCER
 ISLAND, WA 98040

DESCRIPTION
 PERSPECTIVE
 VIEW

DATE
 05/06/22

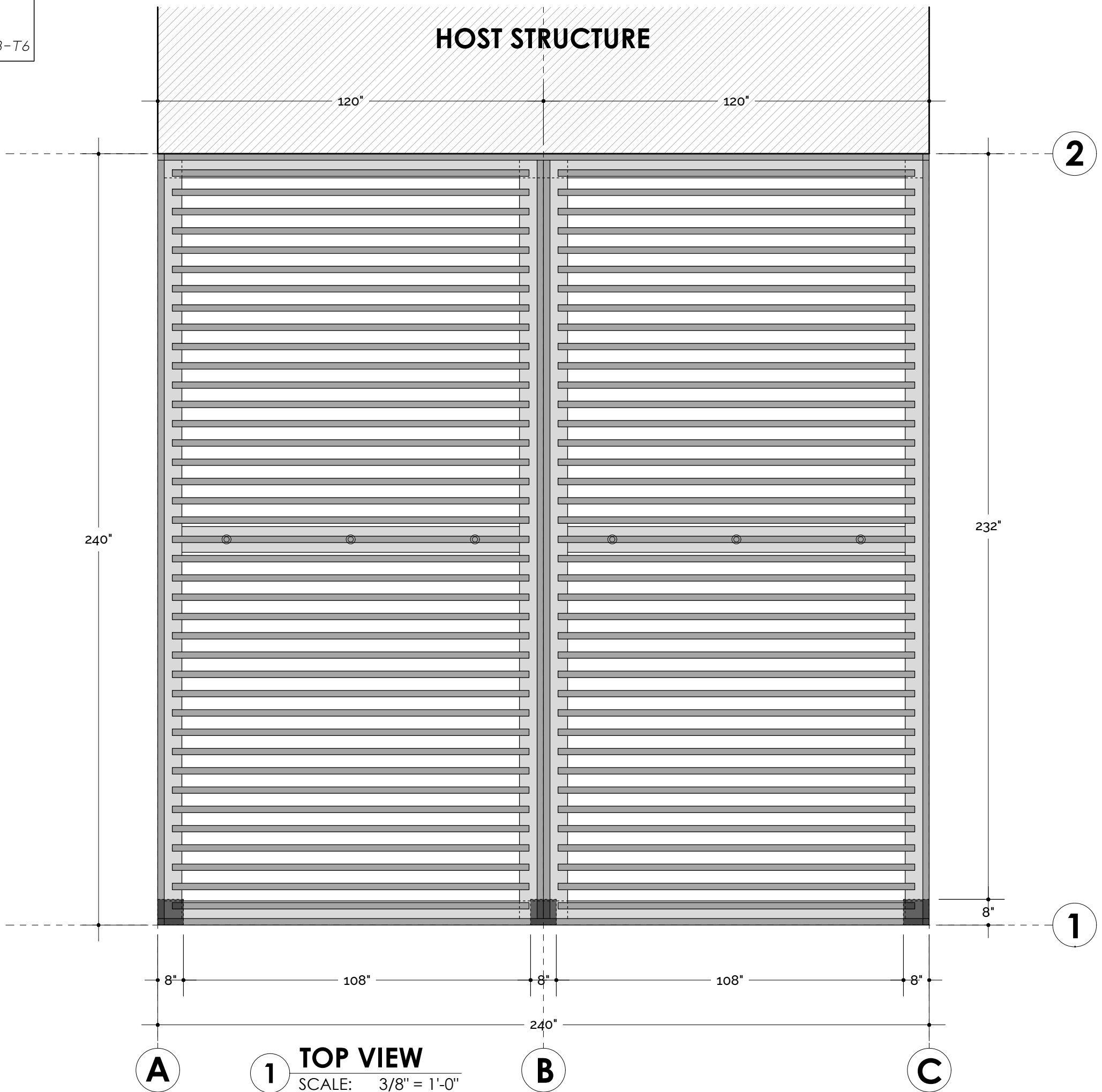
DRAWN BY
 I&S

SCALE
 N.T.S.

SHEET NO.
A 101

ALUMINUM TYPE:
 LOUVERS 6063-T5
 ALL OTHER COMPONENTS 6063-T6

HOST STRUCTURE



1 TOP VIEW
 SCALE: 3/8" = 1'-0"

STRUXURE™
 154 ETHAN ALLEN DR.
 DAHLONEGA, GA 30533
 (800) 303-5248

FRANK BERNARDO, PE
 PE# 56089 CA# 4018

 08/02/2022
SEAL EXPIRATION: 12/27/2023

ENGINEERING EXPRESS®
 POSTAL ADDRESS:
 401 W. ATLANTIC AVE R10 #219
 DELRAY BEACH, FL 33444
 ENGINEERINGEXPRESS.COM

IF THIS SHEET DOES NOT CONTAIN AN ORIGINAL SIGNATURE & ENGINEER SEAL, THE USER SHALL VERIFY THE AUTHENTICITY OF THE DOCUMENT BY VISUALLY CHECKING THE ORIGINAL SIGNATURE AND SEAL. THE USER SHALL VERIFY THE ORIGINAL SIGNATURE AND SEAL BY VISUALLY CHECKING THE ORIGINAL SIGNATURE AND SEAL. THE USER SHALL VERIFY THE ORIGINAL SIGNATURE AND SEAL BY VISUALLY CHECKING THE ORIGINAL SIGNATURE AND SEAL. THE USER SHALL VERIFY THE ORIGINAL SIGNATURE AND SEAL BY VISUALLY CHECKING THE ORIGINAL SIGNATURE AND SEAL.

**SHANE & ROBYN
 MCARTHUR**
 8609 SE 78TH ST MERCER
 ISLAND, WA 98040

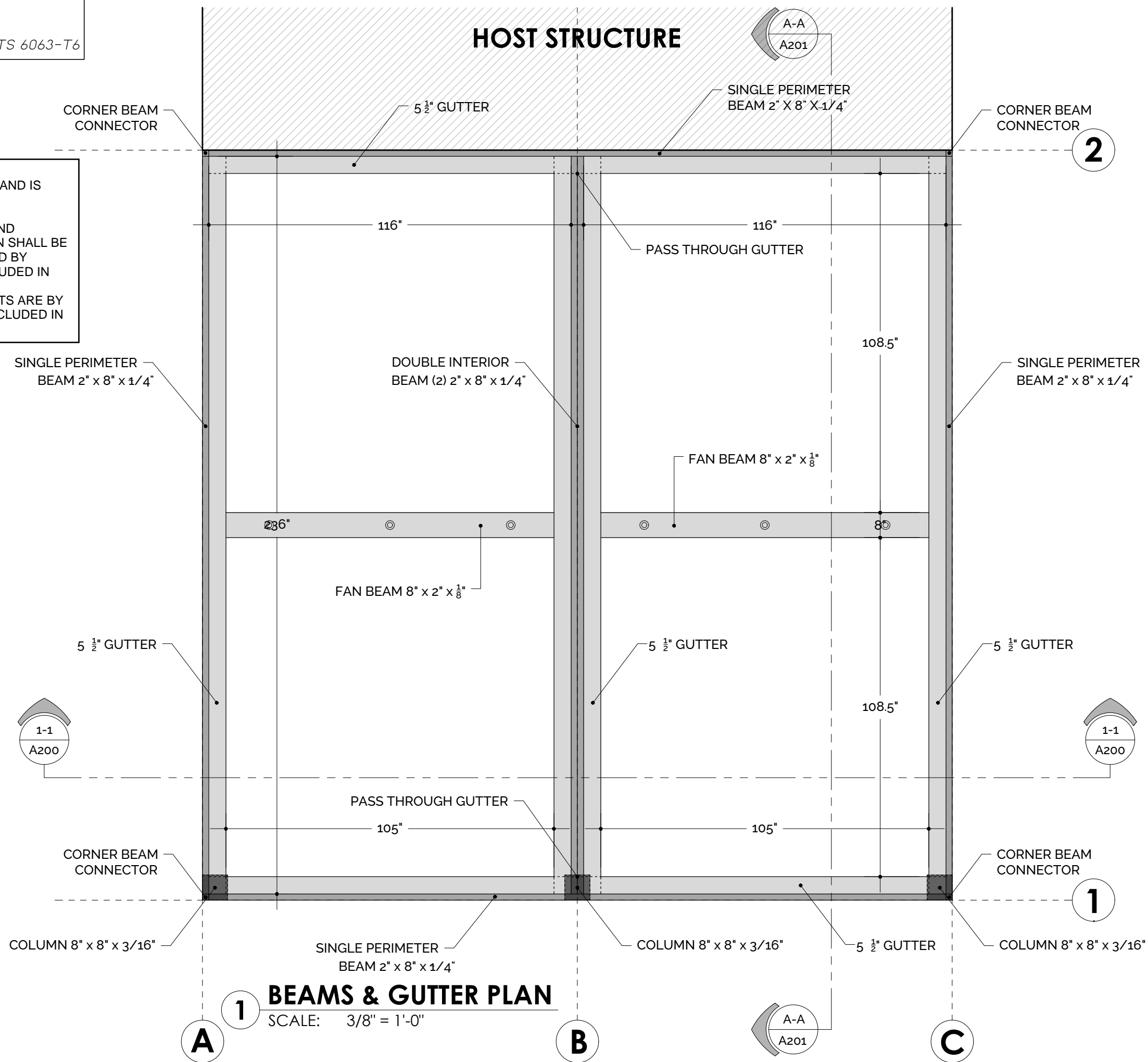
DESCRIPTION	TOP VIEW
DATE	05/06/22
DRAWN BY	I&S
SCALE	3/8" = 1'-0"
SHEET NO.	A 102



ALUMINUM TYPE:
 LOUVERS 6063-T5
 ALL OTHER COMPONENTS 6063-T6

HOST STRUCTURE

NOTE(s):
 1) DRAINAGE IS BY OTHERS AND IS NOT INCLUDED IN THIS CERTIFICATION.
 2) ALL ELECTRICAL WORK AND HARDWARE INSTALLATION SHALL BE DESIGNED AND APPROVED BY OTHERS AND IS NOT INCLUDED IN THIS CERTIFICATION.
 3) NON-STRUXURE PRODUCTS ARE BY OTHERS AND ARE NOT INCLUDED IN THIS CERTIFICATION



BEAMS & GUTTER PLAN

SCALE: 3/8" = 1'-0"



STRUXURE™
 154 ETHAN ALLEN DR.
 DAHLONEGA, GA 30533
 (800) 303-5248



ENGINEERING EXPRESS®
 POSTAL ADDRESS:
 401 W. ATLANTIC AVE R10 #219
 DELRAY BEACH, FL 33444
 ENGINEERINGEXPRESS.COM

IF THIS SHEET DOES NOT CONTAIN AN ORIGINAL SIGNATURE & ENGINEER SEAL, THE FILE SHALL REMAIN IN DIGITAL FORMAT AND PRINTED COPIES OF THIS DOCUMENT ARE NOT TO BE USED FOR CONSTRUCTION. THIS SHEET IS NOT TO BE REPRODUCED OR TRANSMITTED IN ANY FORM OR BY ANY MEANS, ELECTRONIC OR MECHANICAL, INCLUDING PHOTOCOPYING, RECORDING, OR BY ANY INFORMATION STORAGE AND RETRIEVAL SYSTEM. THIS SHEET IS TO BE CONSIDERED A COPYRIGHT AND IS NOT TO BE REPRODUCED OR TRANSMITTED IN ANY FORM OR BY ANY MEANS, ELECTRONIC OR MECHANICAL, INCLUDING PHOTOCOPYING, RECORDING, OR BY ANY INFORMATION STORAGE AND RETRIEVAL SYSTEM.

**SHANE & ROBYN
 MCARTHUR**
 8609 SE 78TH ST MERCER
 ISLAND, WA 98040

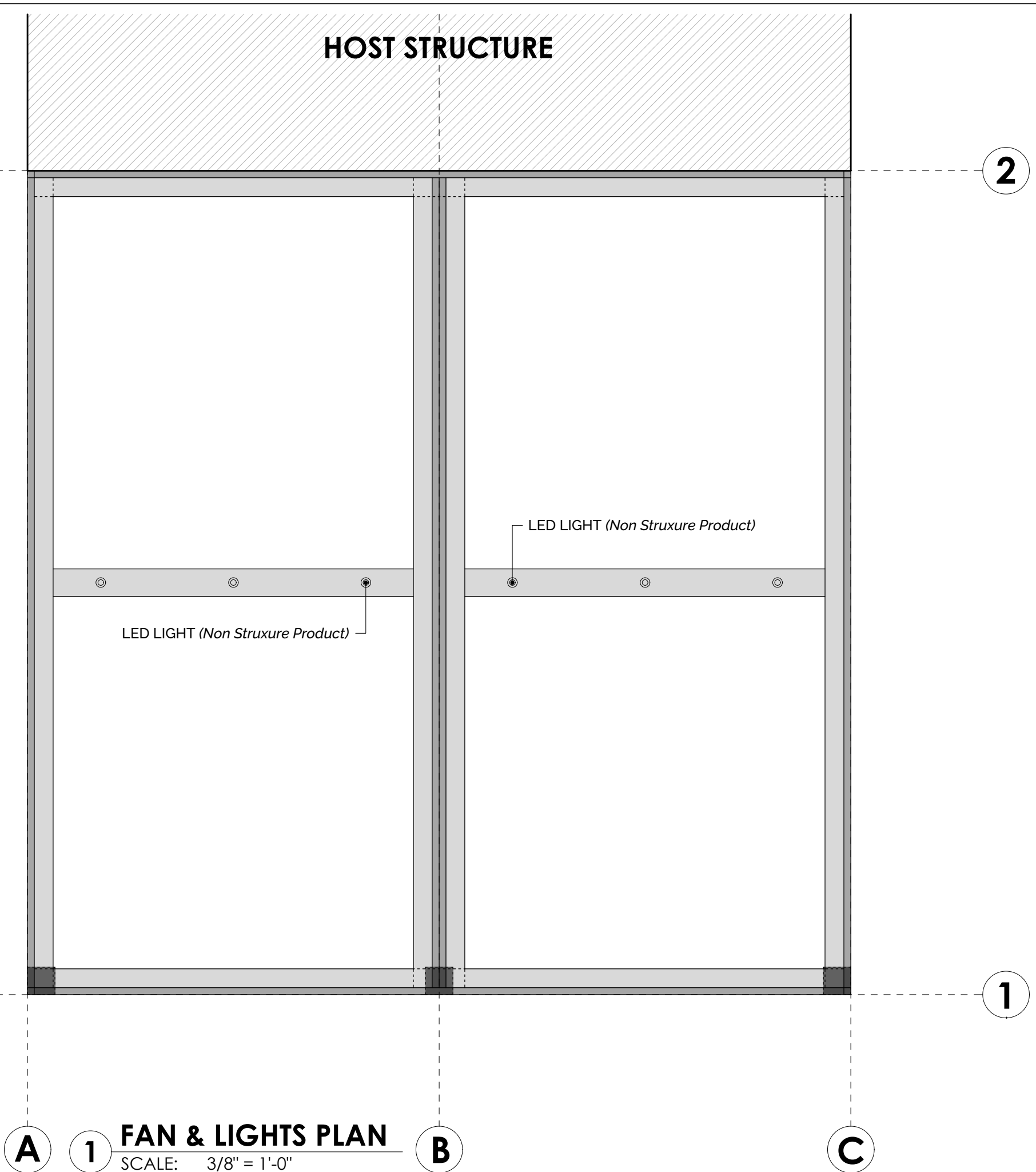
DESCRIPTION	BEAMS & GUTTER PLAN
DATE	05/06/22
DRAWN BY	I&S
SCALE	3/8" = 1'-0"
SHEET NO.	A 103

ALUMINUM TYPE:
 LOUVERS 6063-T5
 ALL OTHER COMPONENTS 6063-T6

NOTE:
 FANS / LAMPS AND THEIR CONNECTION
 TO THE FAN BEAM (S) ARE BY OTHERS,
 AND ARE NOT INCLUDED IN THIS
 CERTIFICATION.

MAX FAN/ LAMP WEIGHT = 100 LBS.

HOST STRUCTURE



A **1** **FAN & LIGHTS PLAN** **B** **C**
 SCALE: 3/8" = 1'-0"

STRUXURETM
 154 ETHAN ALLEN DR.
 DAHLONEGA, GA 30533
 (800) 303-5248

**NOT PART OF
 CERTIFICATION**
**INCLUDED
 ONLY FOR
 REFERENCE**

**ENGINEERING
 EXPRESS**[®]
 POSTAL ADDRESS:
 401 W. ATLANTIC AVE R10 #219
 DELRAY BEACH, FL 33444
 ENGINEERINGEXPRESS.COM

THIS SHEET DOES NOT CONTAIN AN ORIGINAL SIGNATURE & ENGINEER SEAL. THE SEAL REMAINS IN DIGITAL FORMAT AND PRINTED COPIES OF THIS DOCUMENT ARE NOT VALID. THIS SHEET DOES NOT CONTAIN AN ENGINEER'S SIGNATURE & SEAL. THIS SHEET IS TO BE USED FOR REFERENCE ONLY. THIS SHEET IS NOT TO BE REPRODUCED OR COPIED IN ANY MANNER WITHOUT THE WRITTEN PERMISSION OF ENGINEERING EXPRESS.

**SHANE & ROBYN
 MCARTHUR**
 8609 SE 78TH ST MERCER
 ISLAND, WA 98040

DESCRIPTION
 BEAMS &
 GUTTER PLAN

DATE
 05/06/22

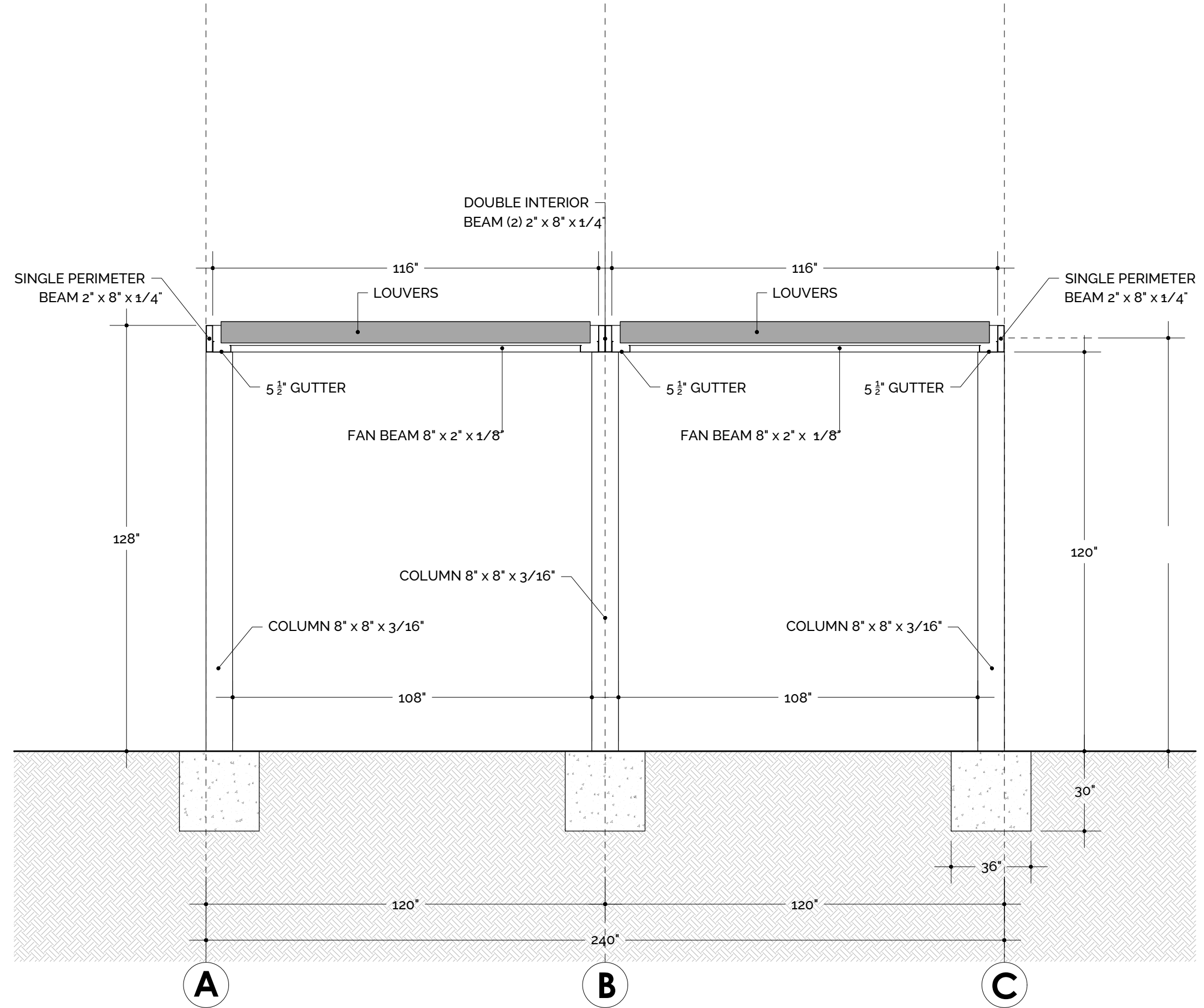
DRAWN BY
 I&S

SCALE
 3/8" = 1'-0"

SHEET NO.
A 104



ALUMINUM TYPE:
 LOUVERS 6063-T5
 ALL OTHER COMPONENTS 6063-T6



1 SECTION 1-1
 SCALE: 3/8" = 1'-0"

STRUXURE
 154 ETHAN ALLEN DR.
 DAHLONEGA, GA 30533
 (800) 303-5248



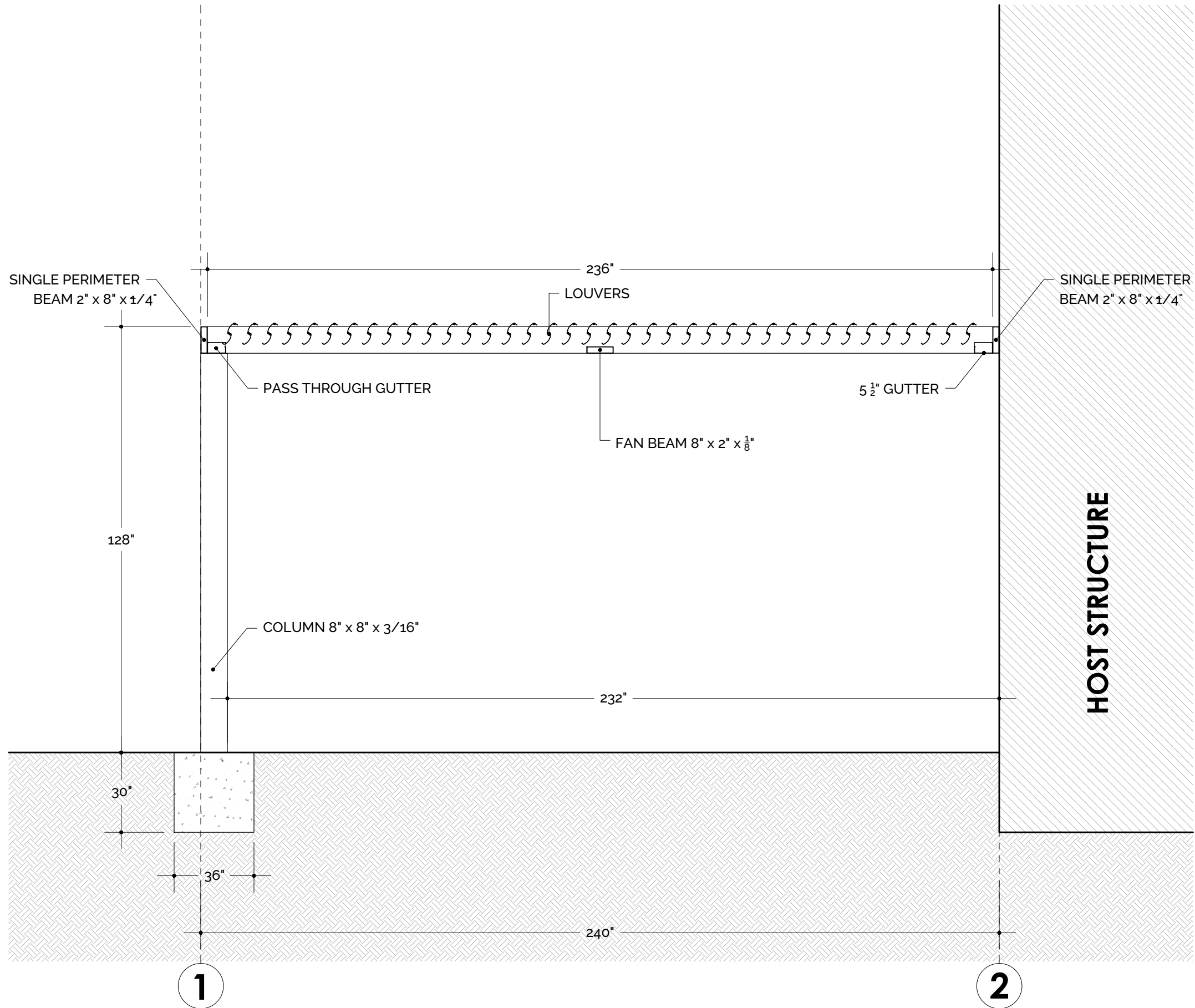
ENGINEERING EXPRESS
 POSTAL ADDRESS:
 401 W. ATLANTIC AVE R10 #219
 DELRAY BEACH, FL 33444
 ENGINEERINGEXPRESS.COM

**SHANE & ROBYN
 MCARTHUR**
 8609 SE 78TH ST MERCER
 ISLAND, WA 98040

DESCRIPTION	SECTION 1-1
DATE	05/06/22
DRAWN BY	I&S
SCALE	3/8" = 1'-0"
SHEET NO.	A 200



ALUMINUM TYPE:
 LOUVERS 6063-T5
 ALL OTHER COMPONENTS 6063-T6



1 SECTION A-A
 SCALE: 3/8" = 1'-0"



STRUXURE
 154 ETHAN ALLEN DR.
 DAHLONEGA, GA 30533
 (800) 303-5248



ENGINEERING EXPRESS
 POSTAL ADDRESS:
 401 W. ATLANTIC AVE R10 #219
 DELRAY BEACH, FL 33444
 ENGINEERINGEXPRESS.COM

IF THIS SHEET DOES NOT CONTAIN AN ORIGINAL SIGNATURE & ENGINEER SEAL, THE FILE SHALL REMAIN IN DIGITAL FORMAT, AND PRINTED COPIES OF THIS DOCUMENT ARE NOT TO BE CONSIDERED VALID. THIS SHEET IS TO BE CONSIDERED A COPY/PRINT AND IS NOT CERTIFIED FOR APPROVAL OR PERMIT. THIS SHEET IS TO BE USED FOR INFORMATIONAL PURPOSES ONLY. FOR MORE INFORMATION, VISIT WWW.ENGINEERINGEXPRESS.COM

**SHANE & ROBYN
 MCARTHUR**
 8609 SE 78TH ST
 MERCER
 ISLAND, WA 98040

DESCRIPTION	SECTION A-A
DATE	05/06/22
DRAWN BY	I&S
SCALE	3/8" = 1'-0"
SHEET NO.	A 201

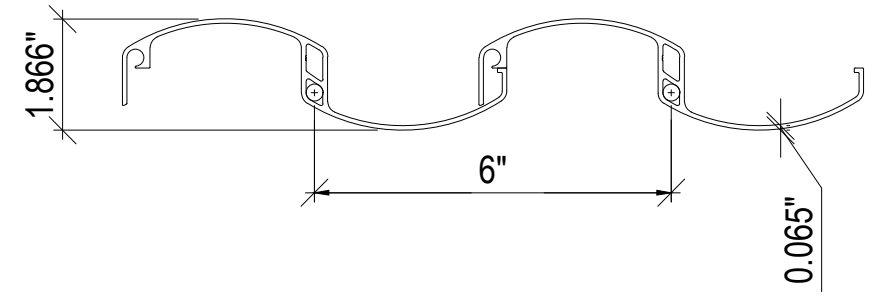
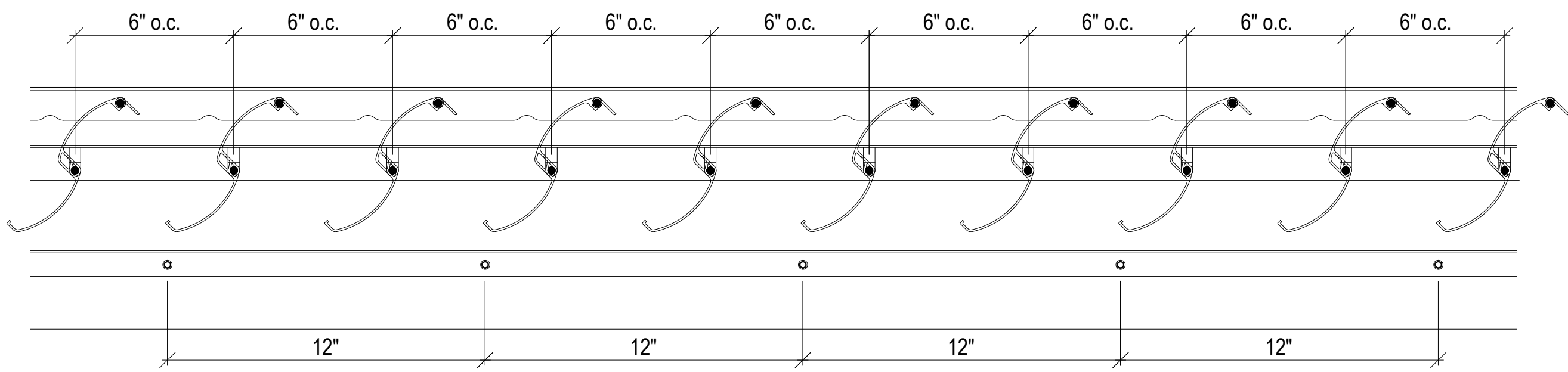
ALUMINUM TYPE:
 LOUVERS 6063-T5
 ALL OTHER COMPONENTS 6063-T6

STRUXURE™
 154 ETHAN ALLEN DR.
 DAHLONEGA, GA 30533
 (800) 303-5248



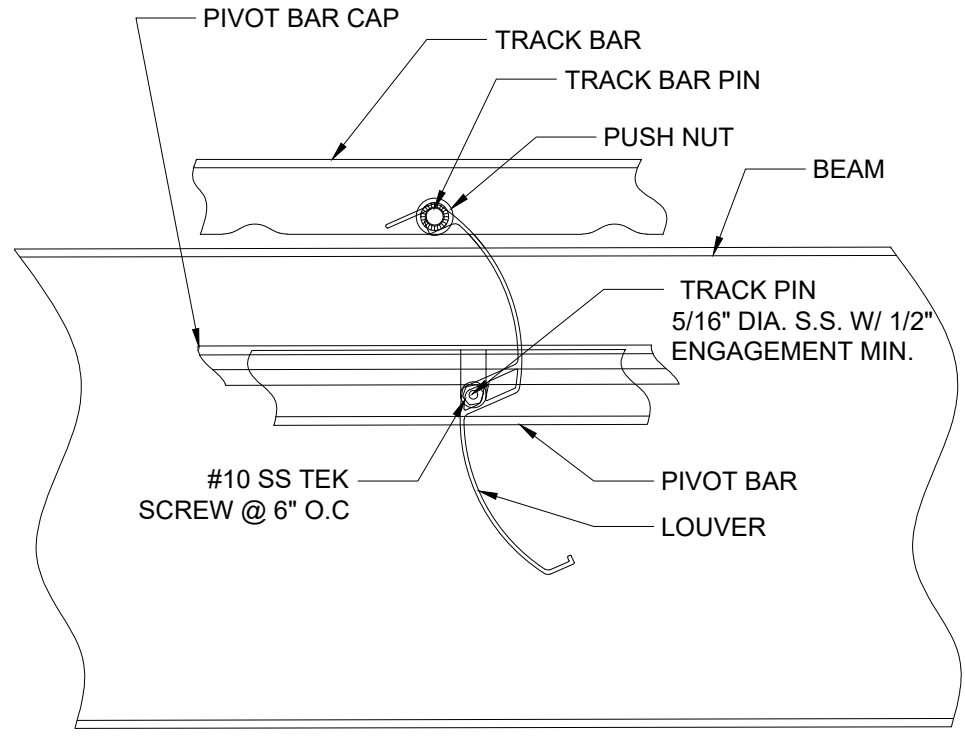
ENGINEERING EXPRESS®
 POSTAL ADDRESS:
 401 W. ATLANTIC AVE R10 #219
 DELRAY BEACH, FL 33444
 ENGINEERINGEXPRESS.COM

IF THIS SHEET DOES NOT CONTAIN AN ORIGINAL SIGNATURE & ENGINEER SEAL, THE FILE SHALL REMAIN IN DIGITAL FORMAT, AND PRINTED COPIES OF THIS DOCUMENT ARE NOT TO BE USED FOR CONSTRUCTION. THIS SHEET IS THE PROPERTY OF ENGINEERING EXPRESS, INC. AND IS NOT TO BE REPRODUCED, COPIED, OR TRANSMITTED IN ANY FORM OR BY ANY MEANS, ELECTRONIC OR MECHANICAL, INCLUDING PHOTOCOPYING, RECORDING, OR BY ANY INFORMATION STORAGE AND RETRIEVAL SYSTEM. WITHOUT THE WRITTEN PERMISSION OF ENGINEERING EXPRESS, INC.

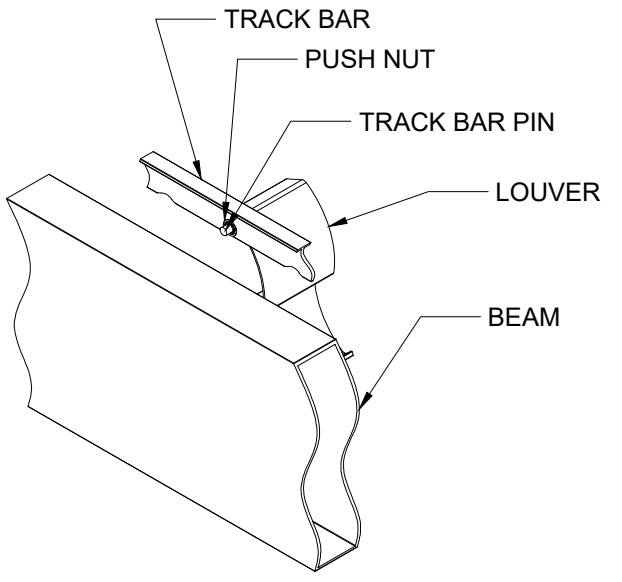


LOUVERS DETAIL

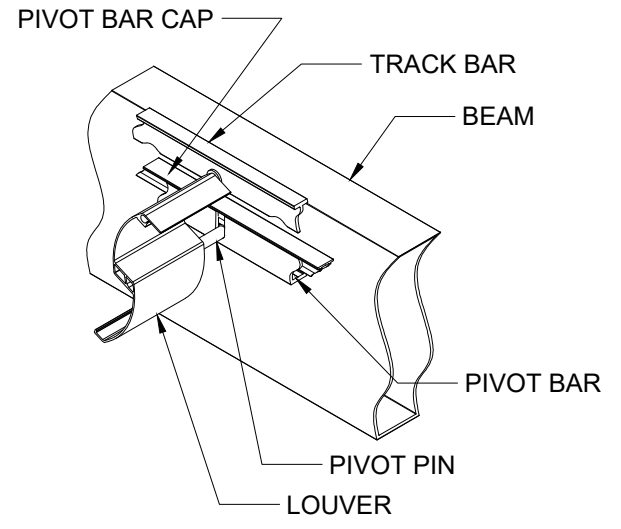
LOUVERS SHALL BE ROTATED TO A 90 DEGREE 'OPEN' POSITION DURING ANY NAMED STORM OR WEATHER DESIGN EVENT TO PREVENT EXCESSIVE FORCE TO THIS STRUCTURE. THE OWNER SHALL BE NOTIFIED IN WRITING OF THIS AND THAT CARE SHALL BE TAKEN TO AVOID BUILDUP OF SNOW, DEBRIS, CONSTRUCTION LOADS, & ANY OTHER FORCES THAT CAN AFFECT THE INTEGRITY OF THIS DESIGN.



SIDE VIEW



ISOMETRIC OUT-SIDE VIEW



ISOMETRIC IN-SIDE VIEW

**SHANE & ROBYN
 MCARTHUR**
 8609 SE 78TH ST MERCER
 ISLAND, WA 98040

DESCRIPTION	DETAILS
DATE	05/06/22
DRAWN BY	I&S
SCALE	N.T.S.
SHEET NO.	

A 300

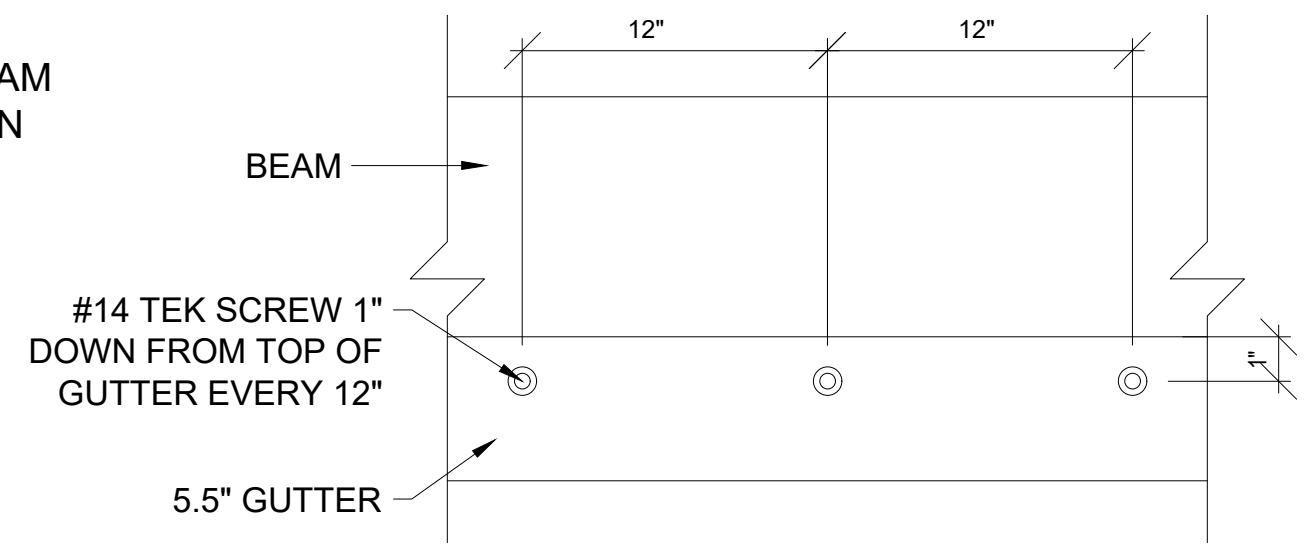
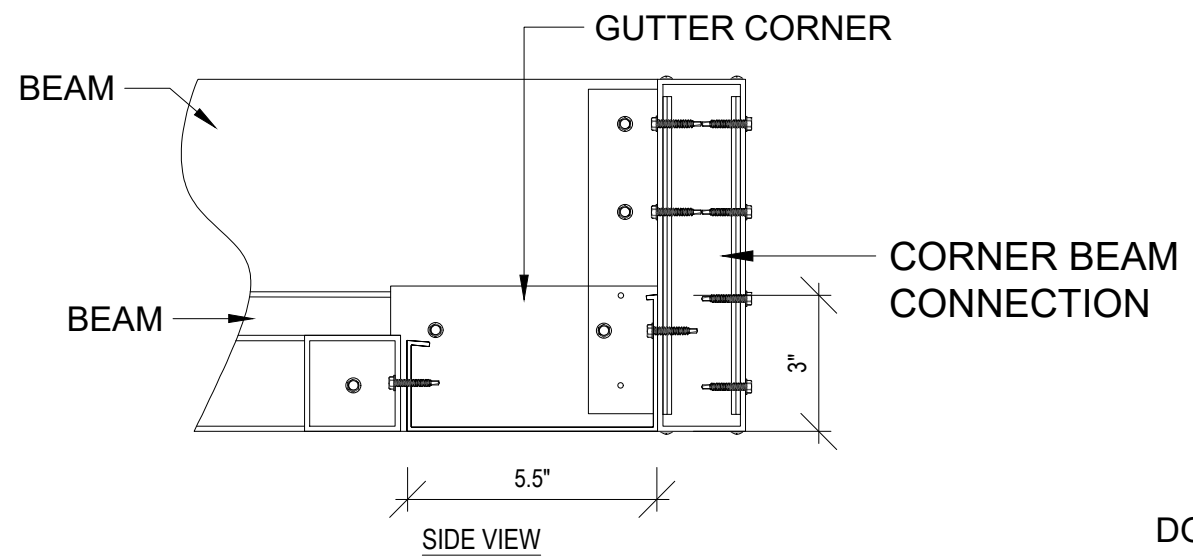
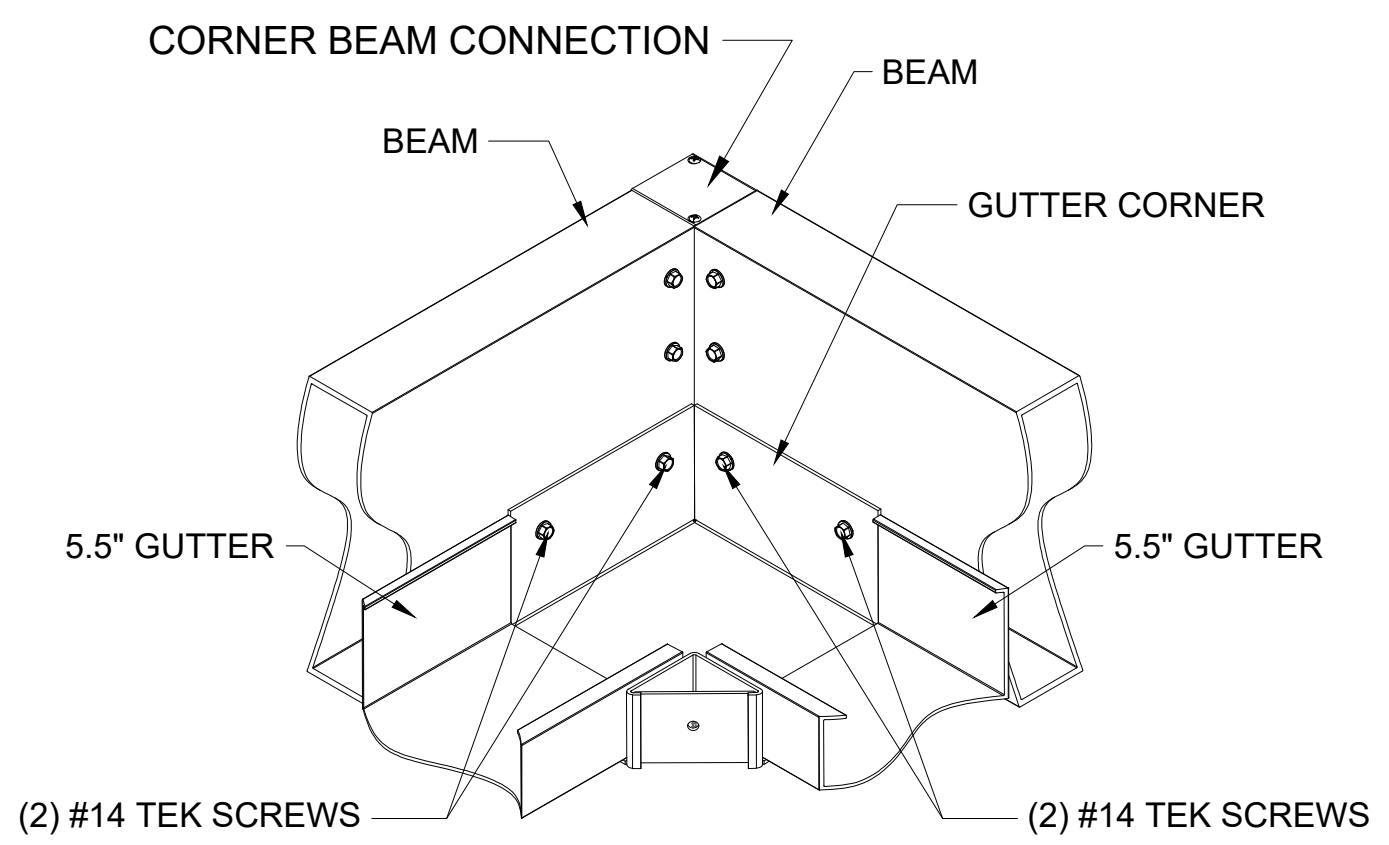
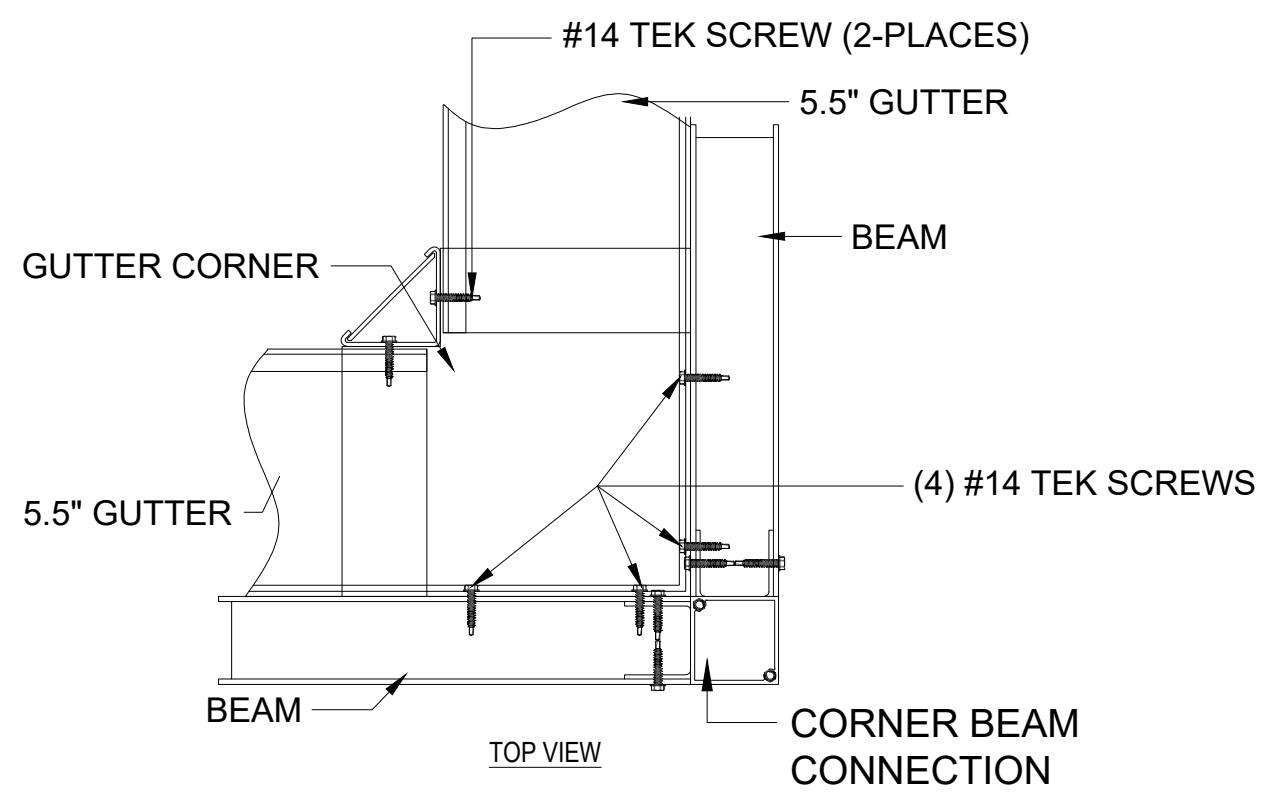
ALUMINUM TYPE:
 LOUVERS 6063-T5
 ALL OTHER COMPONENTS 6063-T6

STRUXURE
 154 ETHAN ALLEN DR.
 DAHLONEGA, GA 30533
 (800) 303-5248



ENGINEERING EXPRESS
 POSTAL ADDRESS:
 401 W. ATLANTIC AVE R10 #219
 DELRAY BEACH, FL 33444
 ENGINEERINGEXPRESS.COM

**SHANE & ROBYN
 MCARTHUR**
 8609 SE 78TH ST MERCER
 ISLAND, WA 98040

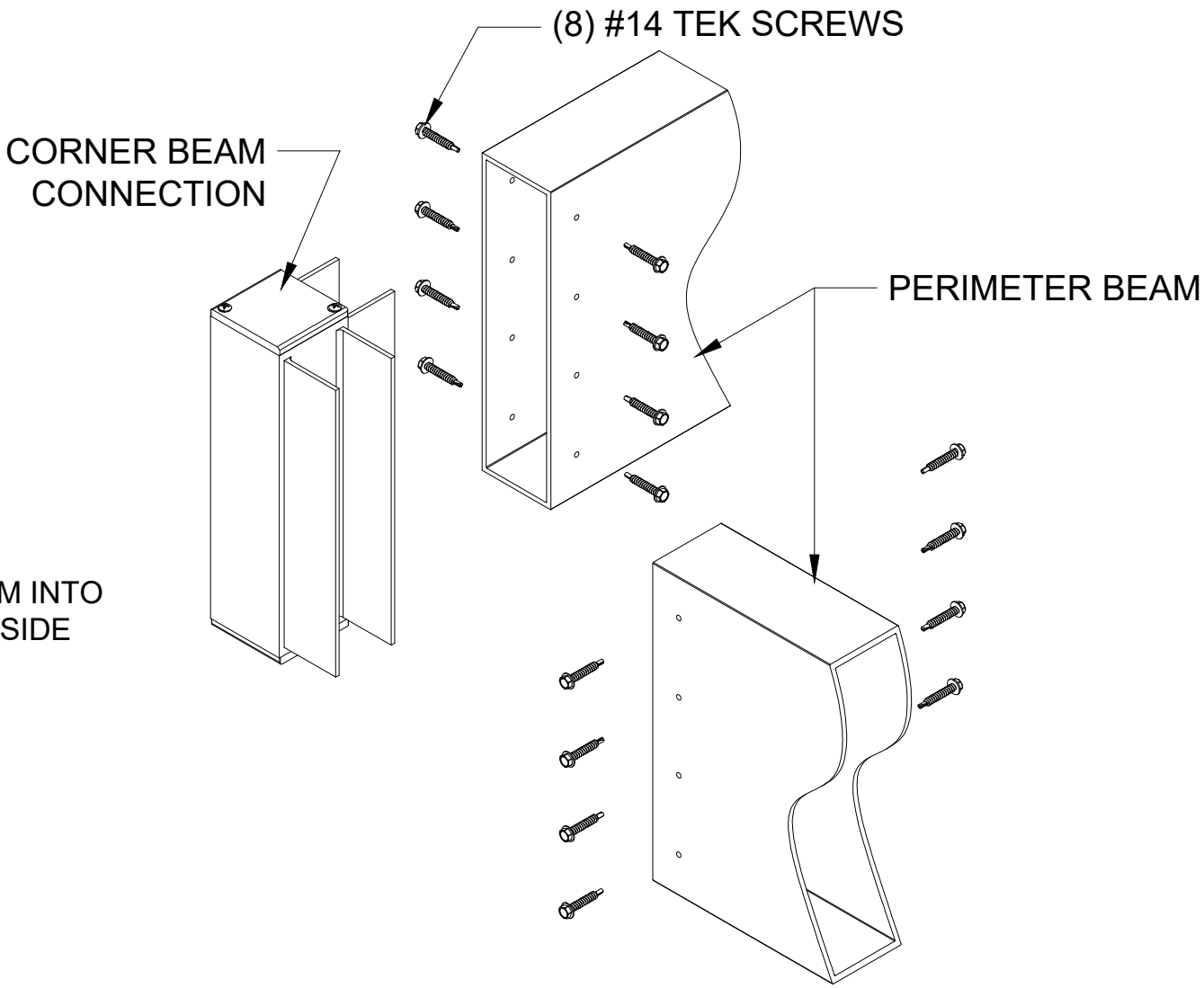
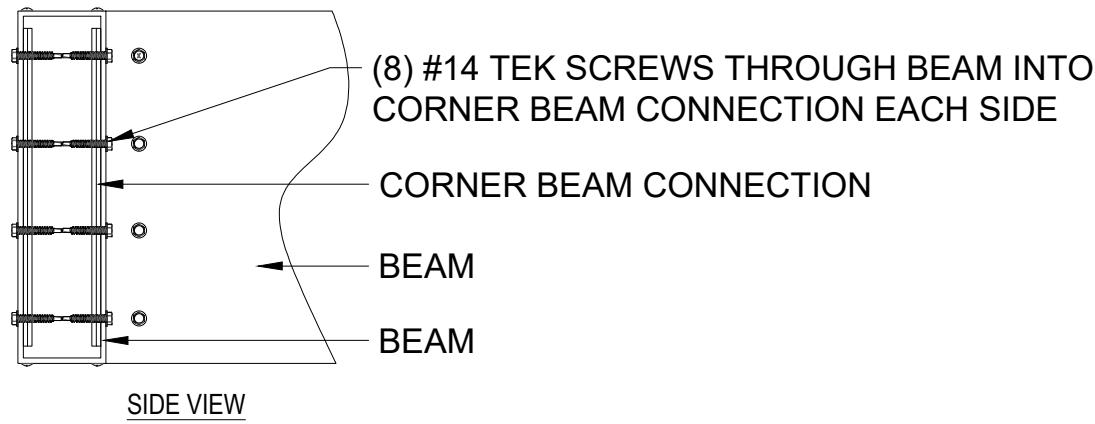
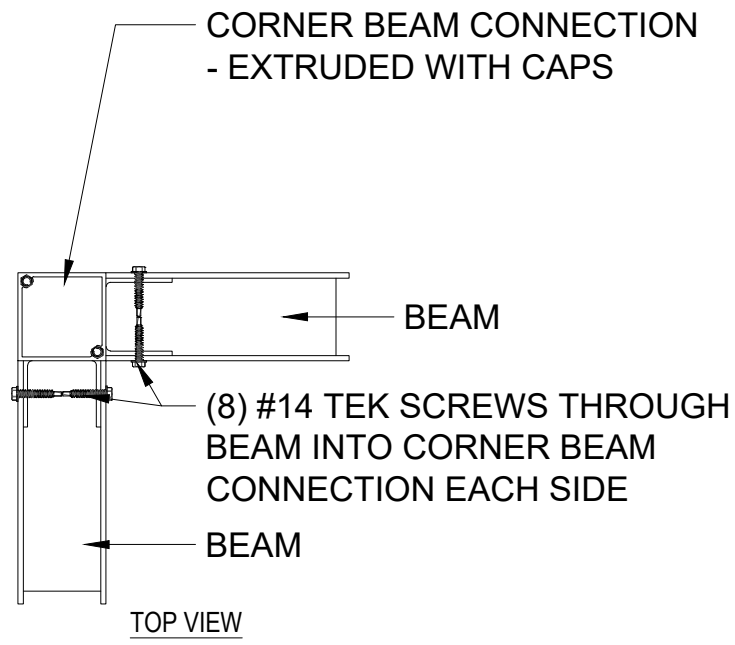


GUTTER ASSEMBLY

DESCRIPTION	DETAILS
DATE	05/06/22
DRAWN BY	I&S
SCALE	N.T.S.
SHEET NO.	A 301

ALUMINUM TYPE:
 LOUVERS 6063-T5
 ALL OTHER COMPONENTS 6063-T6

STRUXURE
 154 ETHAN ALLEN DR.
 DAHLONEGA, GA 30533
 (800) 303-5248



TYPICAL CORNER ASSEMBLY

ENGINEERING EXPRESS
 POSTAL ADDRESS:
 401 W. ATLANTIC AVE R10 #219
 DELRAY BEACH, FL 33444
 ENGINEERINGEXPRESS.COM

**SHANE & ROBYN
 MCARTHUR**
 8609 SE 78TH ST MERCER
 ISLAND, WA 98040

DESCRIPTION
 DETAILS

DATE
 05/06/22

DRAWN BY
 I&S

SCALE
 N.T.S.

SHEET NO.
 A 302

THIS SHEET DOES NOT CONTAIN AN ORIGINAL SIGNATURE & ENGINEER SEAL. THE ORIGINAL SIGNATURE & ENGINEER SEAL IS THE ONLY VALIDATION OF THIS DOCUMENT. ANY COPIES OF THIS DOCUMENT ARE UNLAWFUL. ANY UNLAWFUL COPIES OF THIS DOCUMENT SHALL BE CONSIDERED A VIOLATION OF THE PROFESSIONAL ENGINEERING ACT AND THE ENGINEER'S STATUTE. THIS SHEET IS TO BE CONSIDERED A COPY/PRINT AND IS NOT CERTIFIED FOR APPROVAL OR PERMIT. THE ORIGINAL SIGNATURE & ENGINEER SEAL IS THE ONLY VALIDATION OF THIS DOCUMENT.

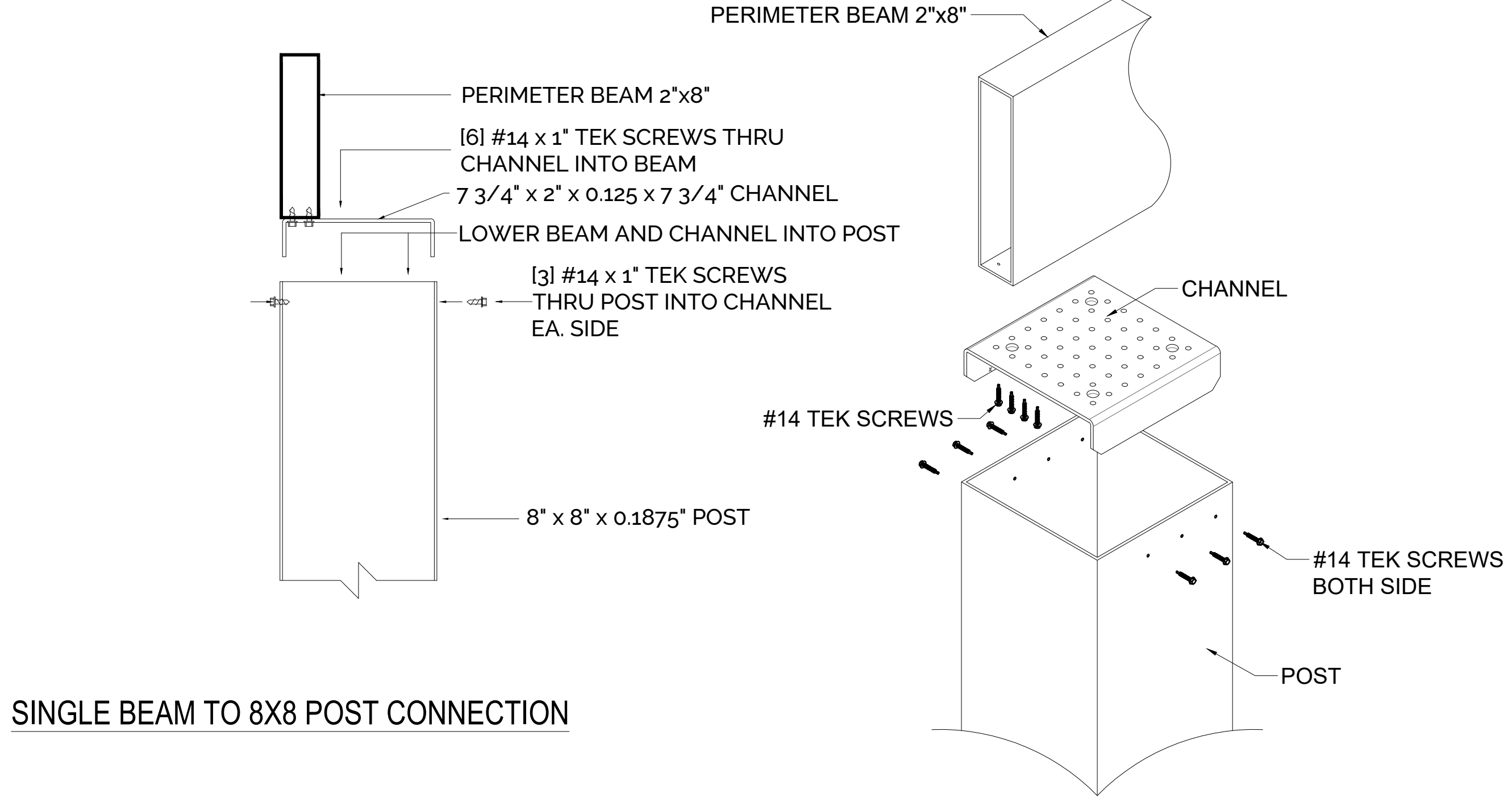
ALUMINUM TYPE:
 LOUVERS 6063-T5
 ALL OTHER COMPONENTS 6063-T6

STRUXURE
 154 ETHAN ALLEN DR.
 DAHLONEGA, GA 30533
 (800) 303-5248



ENGINEERING EXPRESS
 POSTAL ADDRESS:
 401 W. ATLANTIC AVE R10 #219
 DELRAY BEACH, FL 33444
 ENGINEERINGEXPRESS.COM

IF THIS SHEET DOES NOT CONTAIN AN ORIGINAL SIGNATURE & ENGINEER SEAL, THE FILE SHALL REMAIN IN DIGITAL FORMAT AND PRINTED COPIES OF THIS DOCUMENT ARE NOT TO BE CONSIDERED VALID. THIS SHEET IS TO BE CONSIDERED A COPY/PART AND IS NOT CREDITED FOR APPROVAL OR PERMIT. THIS SHEET IS TO BE USED IN CONJUNCTION WITH THE ORIGINAL SHEET AND IS NOT TO BE REPRODUCED OR COPIED.



SINGLE BEAM TO 8X8 POST CONNECTION

**SHANE & ROBYN
 MCARTHUR**
 8609 SE 78TH ST MERCER
 ISLAND, WA 98040

DESCRIPTION	DETAILS
DATE	05/06/22
DRAWN BY	I&S
SCALE	N.T.S.
SHEET NO.	A 303

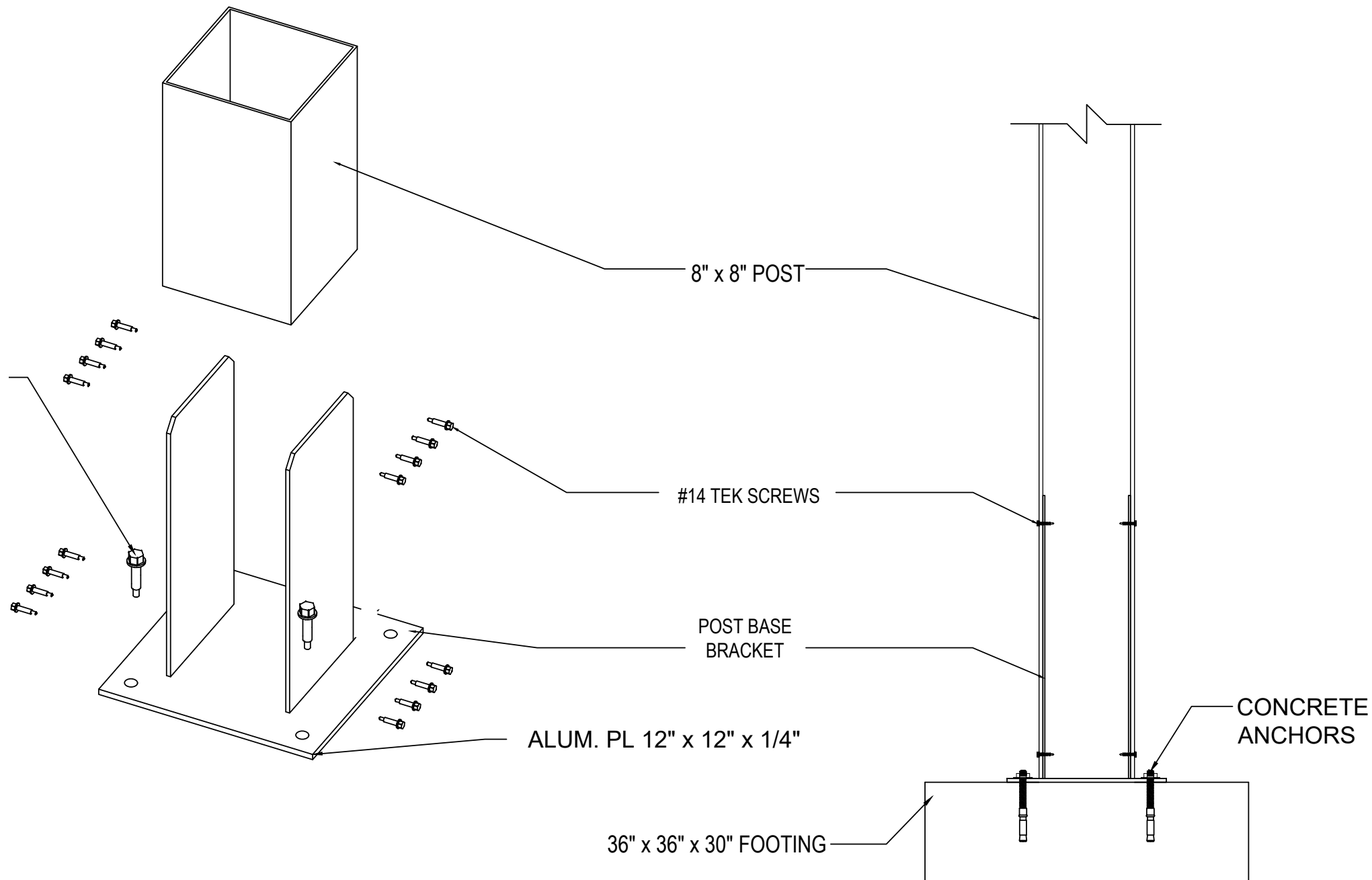
ALUMINUM TYPE:
 LOUVERS 6063-T5
 ALL OTHER COMPONENTS 6063-T6

STRUXURE
 154 ETHAN ALLEN DR.
 DAHLONEGA, GA 30533
 (800) 303-5248



ENGINEERING EXPRESS
 POSTAL ADDRESS:
 401 W. ATLANTIC AVE R10 #219
 DELRAY BEACH, FL 33444
 ENGINEERINGEXPRESS.COM

**SHANE & ROBYN
 MCARTHUR**
 8609 SE 78TH ST
 MERCER ISLAND, WA 98040



(4) 1/2" Ø HILTI HAS THREADED RODS W/
 HY-200 EPOXY @ 4.5" EMBED, 6"
 MIN EDGE DISTANCE, 6" SPACING

8" x 8" POST BASE PLATE

DESCRIPTION
 DETAILS

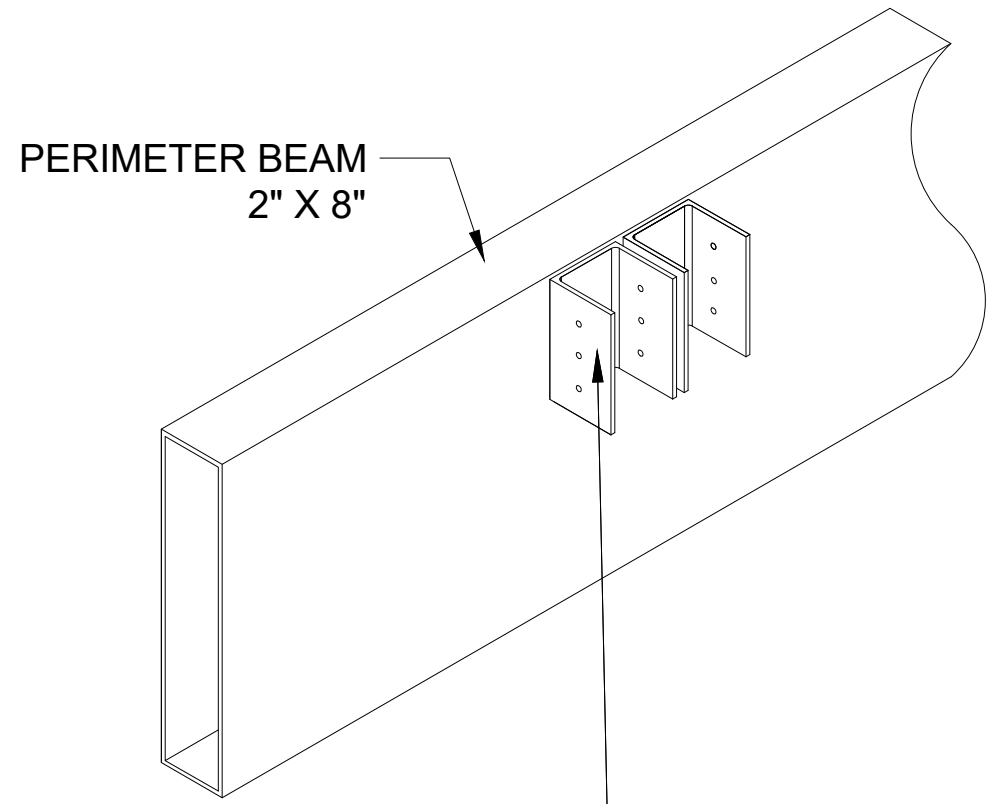
DATE
 05/06/22

DRAWN BY
 I&S

SCALE
 N.T.S.

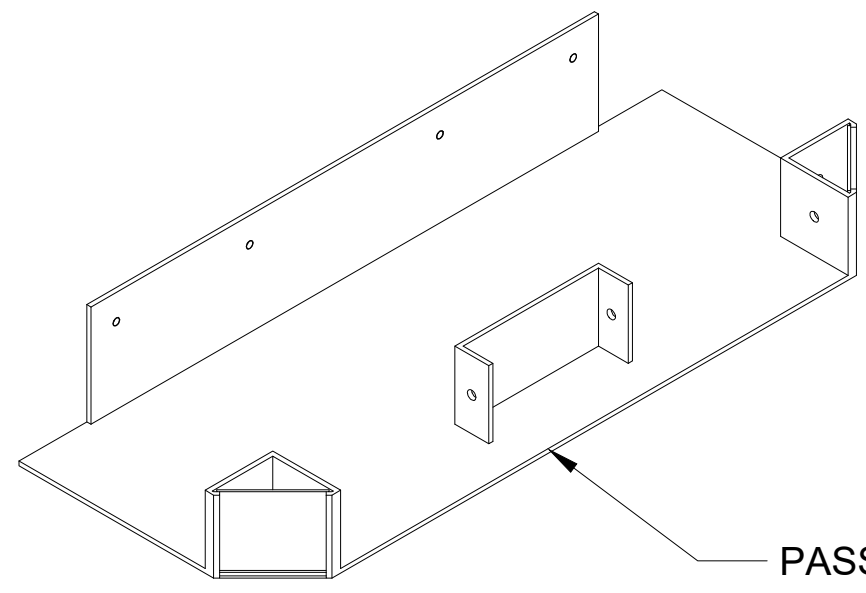
SHEET NO.
 A 304

ALUMINUM TYPE:
 LOUVERS 6063-T5
 ALL OTHER COMPONENTS 6063-T6



PERIMETER BEAM
 2" X 8"

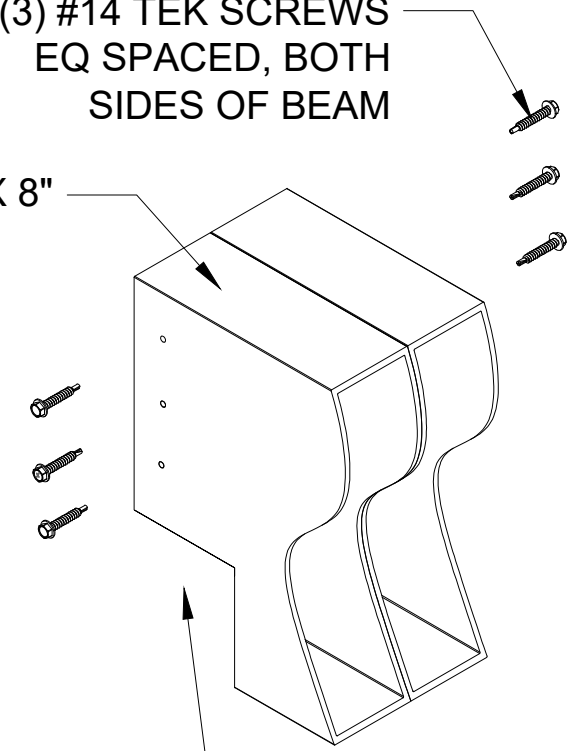
DOUBLE 2" X 1 3/4" X 2" X 0.125" U-CHEMEL INSERT
 LENGTH TO FIT SNUG (MIN 4" LONG), ATTACH EA
 CHANNEL TO BEAM W/ (3) #14 TEK SCREWS
 EQ SPACED, EA SIDE



PASS THROUGH GUTTER

INTERIOR BEAM [2] 2" X 8"

(3) #14 TEK SCREWS
 EQ SPACED, BOTH
 SIDES OF BEAM



NOTCHED BEAMS
 5.5" X 3" CUT

TYPICAL DOUBLE BEAM TO
BEAM CONNECTION
2" X 8" BEAMS
5.5" PASS THROUGH GUTTER

STRUXURE
 154 ETHAN ALLEN DR.
 DAHLONEGA, GA 30533
 (800) 303-5248



ENGINEERING EXPRESS
 POSTAL ADDRESS:
 401 W. ATLANTIC AVE R10 #219
 DELRAY BEACH, FL 33444
 ENGINEERINGEXPRESS.COM

IF THIS SHEET DOES NOT CONTAIN AN ORIGINAL SIGNATURE & ENGINEER SEAL, THE FILE SHALL REMAIN IN DIGITAL FORMAT AND PRINTED COPIES OF THIS DOCUMENT ARE NOT CONSIDERED VALID. THIS SHEET IS NOT TO BE REPRODUCED OR TRANSMITTED IN ANY FORM OR BY ANY MEANS, ELECTRONIC OR MECHANICAL, INCLUDING PHOTOCOPYING, RECORDING, OR BY ANY INFORMATION STORAGE AND RETRIEVAL SYSTEM. THIS SHEET IS TO BE CONSIDERED A COPY/PRINT AND IS NOT CREDITED FOR APPROVAL OR PERMIT. THIS SHEET IS THE PROPERTY OF ENGINEERINGEXPRESS.COM. ALL RIGHTS RESERVED.

**SHANE & ROBYN
 MCARTHUR**
 8609 SE 78TH ST MERCER
 ISLAND, WA 98040

DESCRIPTION	DETAILS
DATE	05/06/22
DRAWN BY	I&S
SCALE	N.T.S.
SHEET NO.	A 305

ALUMINUM TYPE:
 LOUVERS 6063-T5
 ALL OTHER COMPONENTS 6063-T6

STRUXURE
 154 ETHAN ALLEN DR.
 DAHLONEGA, GA 30533
 (800) 303-5248



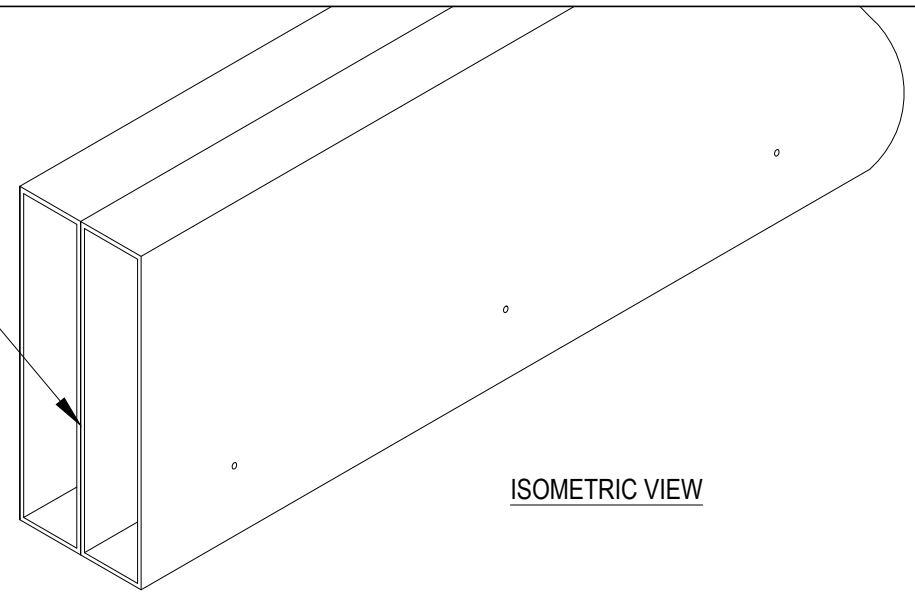
ENGINEERING EXPRESS
 POSTAL ADDRESS:
 401 W. ATLANTIC AVE R10 #219
 DELRAY BEACH, FL 33444
 ENGINEERINGEXPRESS.COM

IF THIS SHEET DOES NOT CONTAIN AN ORIGINAL SIGNATURE & ENGINEER SEAL, THE FILE SHALL REMAIN IN DIGITAL FORMAT AND PRINTED COPIES OF THIS DOCUMENT ARE NOT CONSIDERED VALID. THIS SHEET IS THE PROPERTY OF ENGINEERING EXPRESS. IT IS TO BE CONSIDERED A COPYRIGHT AND IS NOT CREDITED FOR APPROVAL OR PERMIT. THIS SHEET IS NOT TO BE REPRODUCED OR TRANSMITTED IN ANY FORM OR BY ANY MEANS, ELECTRONIC OR MECHANICAL, INCLUDING PHOTOCOPYING, RECORDING, OR BY ANY INFORMATION STORAGE AND RETRIEVAL SYSTEM.

**SHANE & ROBYN
 MCARTHUR**
 8609 SE 78TH ST MERCER
 ISLAND, WA 98040

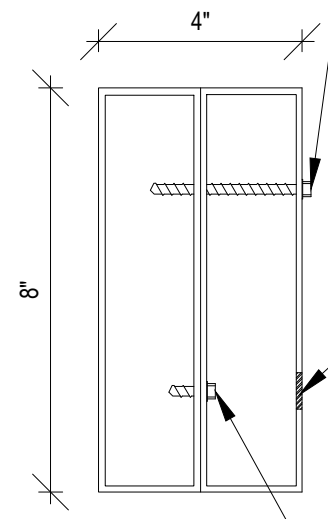
DESCRIPTION	DETAILS
DATE	05/06/22
DRAWN BY	I&S
SCALE	N.T.S.
SHEET NO.	A 306

DOUBLE 2X8 BEAM



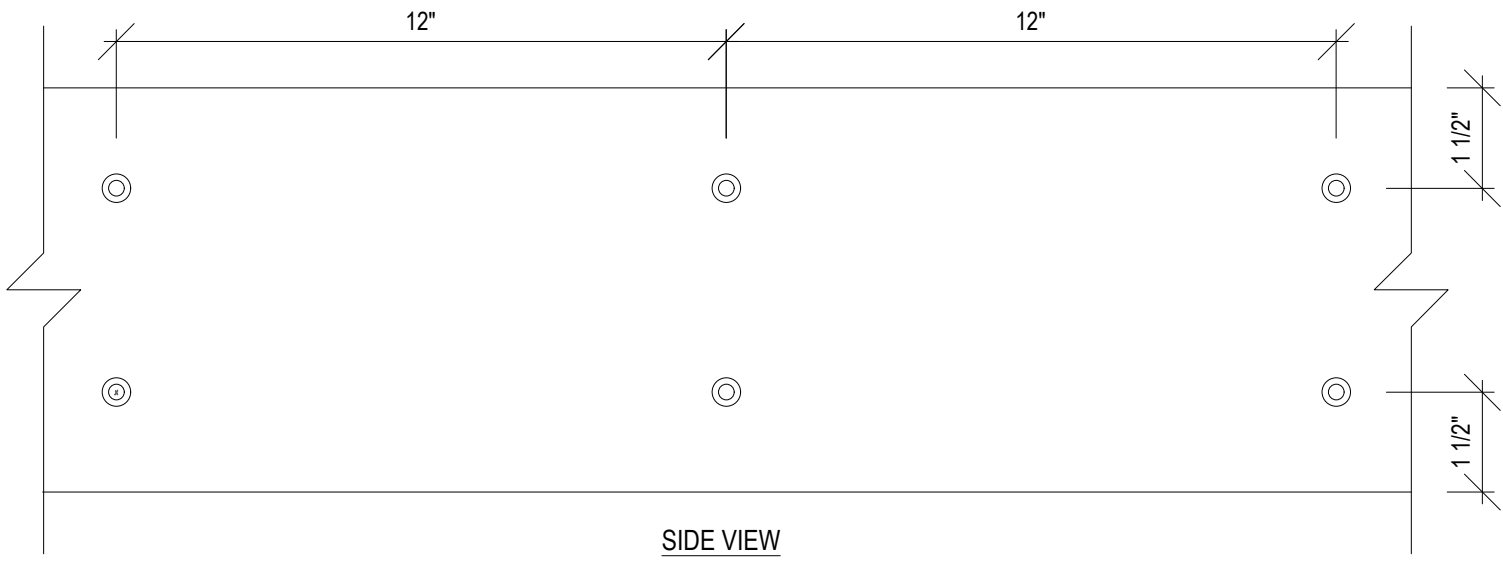
ISOMETRIC VIEW

TYPICAL CONNECTION #14 X 3" TEK SCREWS 12" O.C.



3/4" HOLE DRILLED FOR SCREW INSTALLATION AND CAPPED.

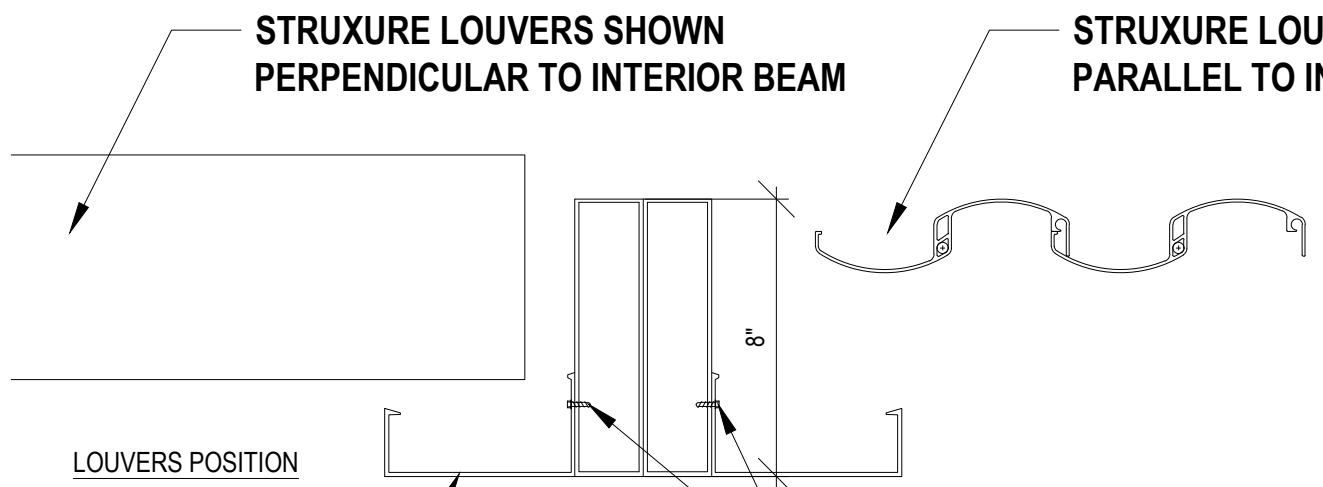
TYPICAL CONNECTION (2) #14 X 1" TEK SCREWS 12" O.C



SIDE VIEW

STRUXURE LOUVERS SHOWN PERPENDICULAR TO INTERIOR BEAM

STRUXURE LOUVERS SHOWN PARALLEL TO INTERIOR BEAM



LOUVERS POSITION

GUTTER

(1) #14 X 1" TEK SCREW 8" O.C.

DOUBLE BEAM CONNECTION (2X8)

ALUMINUM TYPE:
 LOUVERS 6063-T5
 ALL OTHER COMPONENTS 6063-T6

STRUXURE
 154 ETHAN ALLEN DR.
 DAHLONEGA, GA 30533
 (800) 303-5248

FRANK BERNARDO, PE
 PE# 56089 CA# 4018

08/02/2022
 SEAL EXPIRATION: 12/27/2023

ENGINEERING EXPRESS

POSTAL ADDRESS:
 401 W. ATLANTIC AVE R10 #219
 DELRAY BEACH, FL 33444
 ENGINEERINGEXPRESS.COM

IF THIS SHEET DOES NOT CONTAIN AN ORIGINAL SIGNATURE & ENGINEER SEAL, THE FILE SHALL REMAIN IN DIGITAL FORMAT, AND PRINTED COPIES OF THIS DOCUMENT ARE NOT TO BE CONSIDERED VALID. THIS SHEET IS NOT TO BE REPRODUCED OR TRANSMITTED IN ANY FORM OR BY ANY MEANS, ELECTRONIC OR MECHANICAL, INCLUDING PHOTOCOPYING, RECORDING, OR BY ANY INFORMATION STORAGE AND RETRIEVAL SYSTEM, WITHOUT THE WRITTEN PERMISSION OF ENGINEERINGEXPRESS.COM.

**SHANE & ROBYN
 MCARTHUR**
 8609 SE 78TH ST MERCER
 ISLAND, WA 98040

DESCRIPTION	DETAILS
DATE	05/06/22
DRAWN BY	I&S
SCALE	N.T.S.
SHEET NO.	A 307

HOST STRUCTURE

PERIMETER BEAM

GUTTER

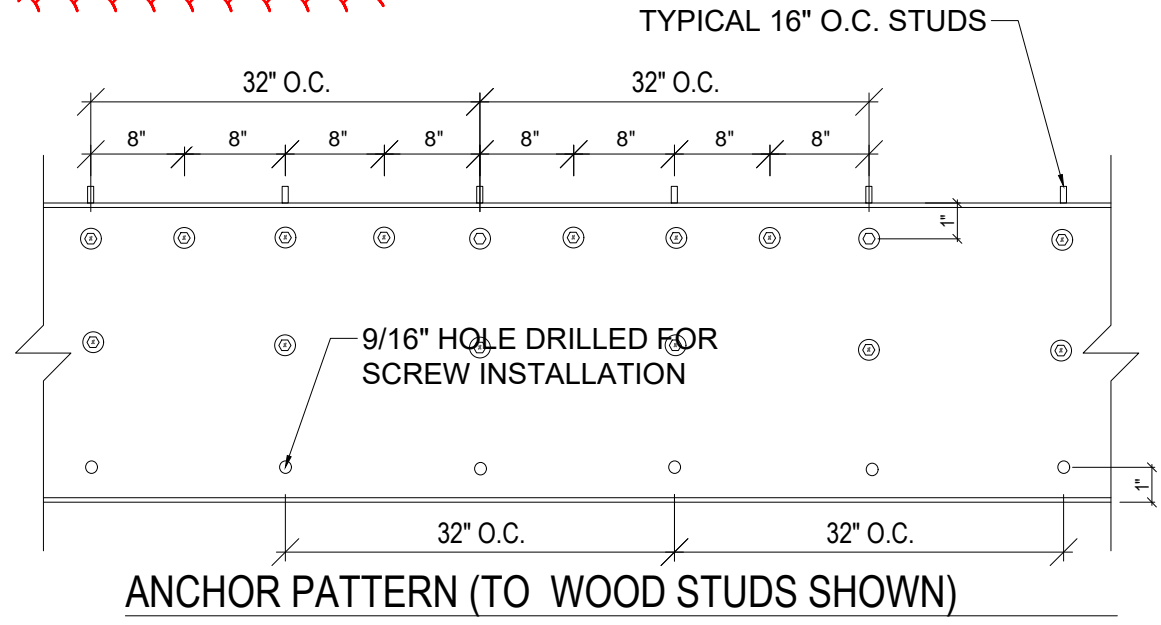
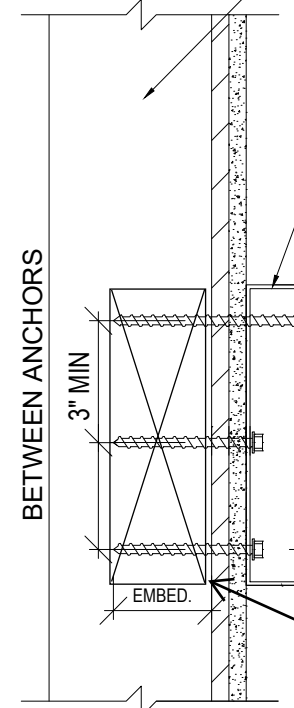
1

EXISTING HOST STRUCTURE SHALL BE EITHER 3000 PSI POURED CONCRETE, OR ASTM90 HOLLOW / GROUT-FILLED CMU OR #2 SYP WOOD (G=0.55) AS VERIFIED BY OTHERS

ALUMINUM BEAM PER PLAN

9/16" HOLE DRILLED FOR SCREW INSTALLATION

INSTALL NEW BLOCKING (BY OTHERS) BTWN STUDS CONNECT PERGOLA TO HOST STRUCTURE AND BLOCKING W/ (2) SDS25134 @ MAX 16" O.C. BOTTOM, AND (1) SDS25134 @ MAX 8" O.C.



BEAM TO HOST STRUCTURE CONNECTION

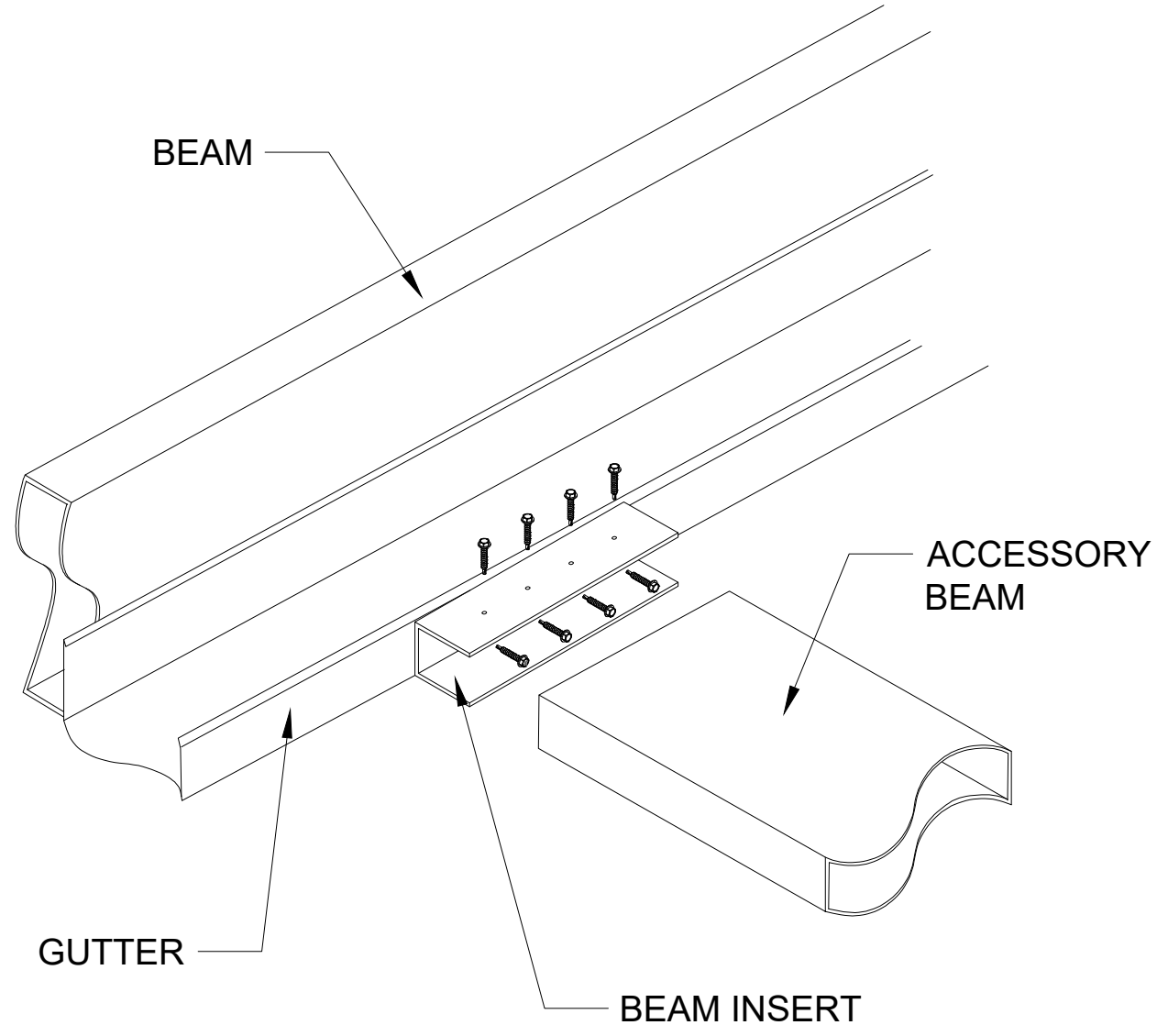
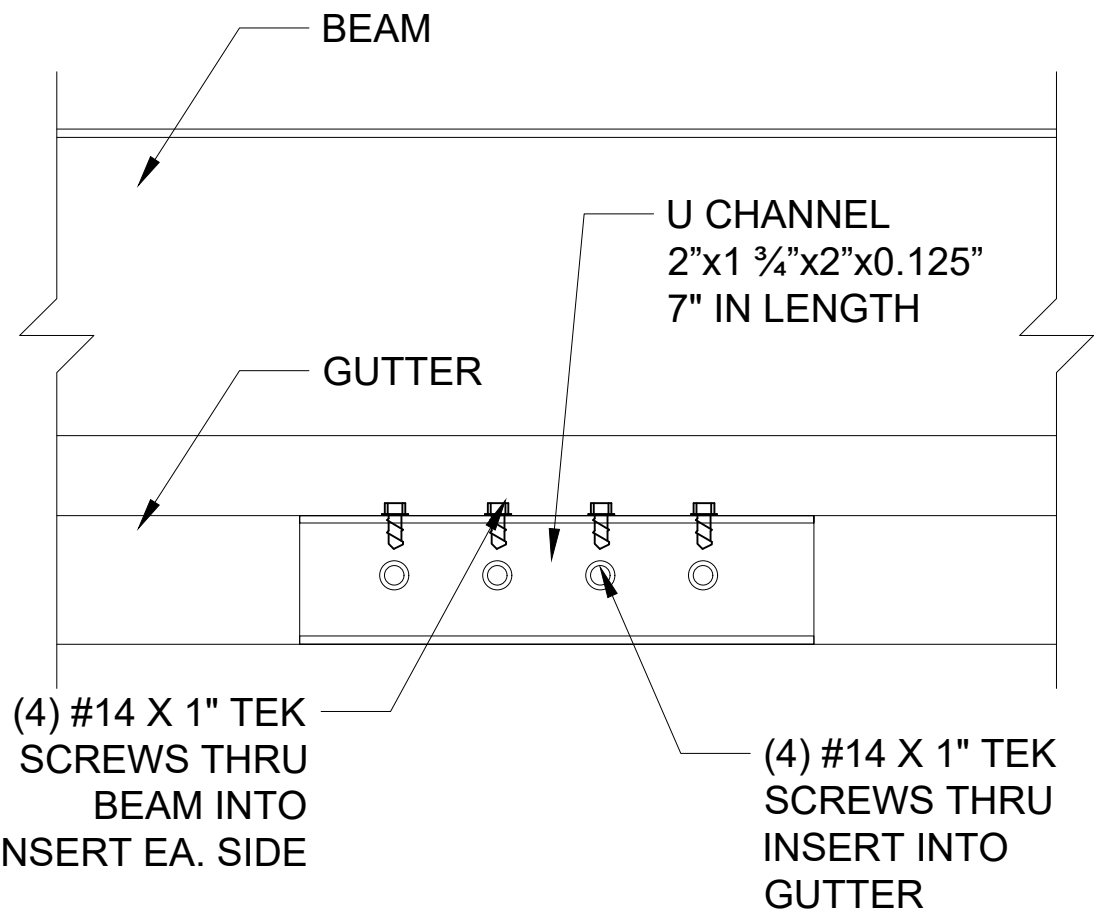
ALUMINUM TYPE:
 LOUVERS 6063-T5
 ALL OTHER COMPONENTS 6063-T6

STRUXURE
 154 ETHAN ALLEN DR.
 DAHLONEGA, GA 30533
 (800) 303-5248



ENGINEERING EXPRESS
 POSTAL ADDRESS:
 401 W. ATLANTIC AVE R10 #219
 DELRAY BEACH, FL 33444
 ENGINEERINGEXPRESS.COM

IF THIS SHEET DOES NOT CONTAIN AN ORIGINAL SIGNATURE & ENGINEER SEAL, THE FILE SHALL REMAIN IN DIGITAL FORM AND PRINTED COPIES OF THIS DOCUMENT ARE NOT VALID. THIS SHEET IS THE PROPERTY OF ENGINEERINGEXPRESS.COM. IT IS TO BE USED ONLY FOR THE PROJECT AND SITE SPECIFICALLY IDENTIFIED IN THE TITLE BLOCK. IT IS NOT TO BE REPRODUCED OR TRANSMITTED IN ANY FORM OR BY ANY MEANS, ELECTRONIC OR MECHANICAL, INCLUDING PHOTOCOPYING, RECORDING, OR BY ANY INFORMATION STORAGE AND RETRIEVAL SYSTEM. WITHOUT PERMISSION IN WRITING FROM ENGINEERINGEXPRESS.COM, THIS SHEET IS TO BE CONSIDERED A COPYRIGHT AND IS NOT CREDITED FOR APPROVAL OR PERMIT. FOR MORE INFORMATION, VISIT WWW.ENGINEERINGEXPRESS.COM

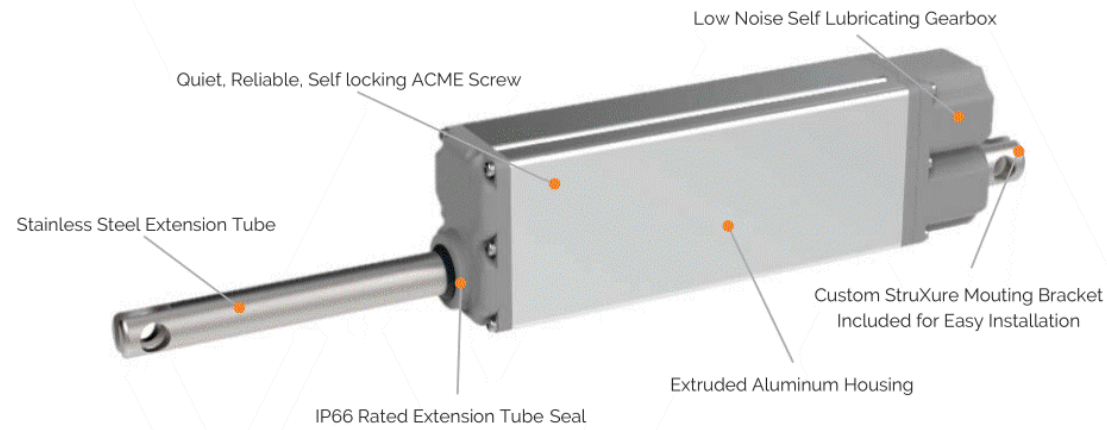


FAN BEAM CONNECTION

**SHANE & ROBYN
 MCARTHUR**
 8609 SE 78TH ST MERCER
 ISLAND, WA 98040

DESCRIPTION	DETAILS
DATE	05/06/22
DRAWN BY	I&S
SCALE	N.T.S.
SHEET NO.	A 308

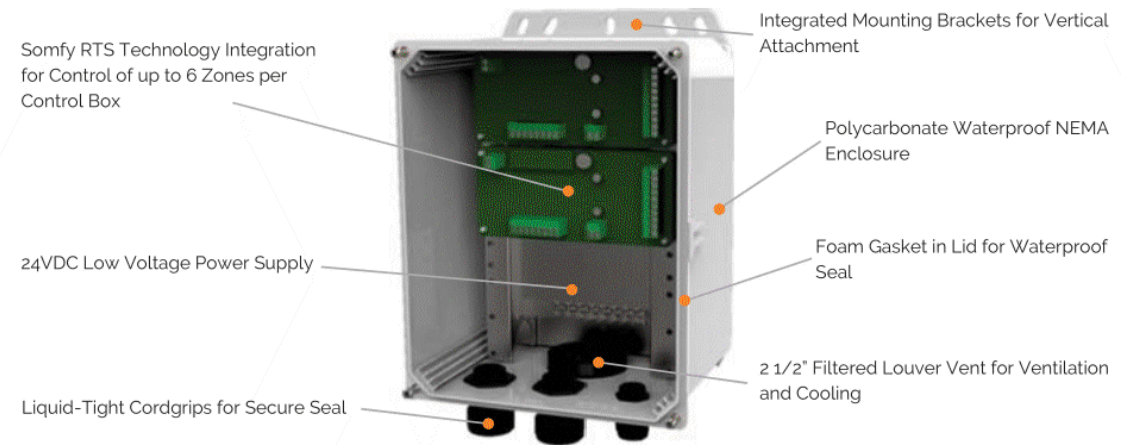
LOUVERED ROOF MOTOR



SOMFY TECHNICAL SPECIFICATIONS

VOLTAGE		
Input Voltage	[VDC]	24
LOAD		
Static Load (Fx), max.	[N/lbs]	2500 / 562
Dynamic Load (Fx), max.	[N/lbs]	2500 / 562
STROKE		
Stroke length, standard	[mm]	135
CURRENT		
Current consumption, rated load	[A]	1.875
GENERAL DATA		
Speed, no load	[mm/s]	3.4
Speed, rated load	[mm/s]	2.8
Operating temperature limits	[°C]	-10/+60
Service life	[Cycles]	± 10,000
Sound level	[dB(A)]	≤ 70
Lead screw type		ACME
Protection Class		IP66
Certificates		CE (EN60601-1)
Insulation		CLASS III

LOUVERED PERGOLA CONTROL



*Product dimensions: 10.59 x 8.59 x 6.96 in. / 268.99 x 218.19 x 176.78 mm

** Enclosure must be mounted in this vertical orientation.

COMPONENT RATINGS AND CERTIFICATIONS

POWER SUPPLY		
Input Voltage	[VAC]	115/230
Input Voltage Frequency Range	[Hz]	47 - 63
Output Voltage	[VDC]	24
Voltage Adjustable Range	[VDC]	21.6 - 28.8V
Current Range	[A]	0 - 14.6
Rated Power	[W]	350.4
Safety Standard	[UL Certification]	UL60950-1
POWER SUPPLY CABLE (NOT SHOWN)		
Safety Standard	[ETL Certification]	#3170291
Voltage Rating	[V]	300
Temperature Rating	[°F]	-40 to 158
ENCLOSURE		
Safety Standard	[UL Certification]	UL508A
	[File Number]	E352997
Temperature Range	[°F]	-40 to 257
Impact Resistance	[in/lb]	500
Dielectric Strength	[volts/mil]	380
UV Rating	[UL Certification]	UL 746C
Flammability Rating	[UL Certification]	UL 94

NOT PART OF
CERTIFICATION

INCLUDED
ONLY FOR
REFERENCE



POSTAL ADDRESS:
401 W. ATLANTIC AVE R10 #219
DELRAY BEACH, FL 33444
ENGINEERINGEXPRESS.COM

THIS SHEET DOES NOT CONTAIN AN ORIGINAL SIGNATURE & ENGINEER SEAL. ALL COPIES MUST BE PRINTED FROM THE ORIGINAL FILE. ORIGINAL FILES ARE AVAILABLE FOR DOWNLOAD FROM THE STRUXURE WEBSITE. THIS SHEET IS TO BE USED AS A REFERENCE ONLY. IT IS NOT TO BE USED FOR CONSTRUCTION OR AS A PART OF ANY CONTRACT. THIS SHEET IS TO BE USED AS A REFERENCE ONLY. IT IS NOT TO BE USED FOR CONSTRUCTION OR AS A PART OF ANY CONTRACT.

SHANE & ROBYN
MCARTHUR
8609 SE 78TH ST MERCER
ISLAND, WA 98040

DESCRIPTION
MOTOR
SPECIFICATION

DATE
05/06/22

DRAWN BY
I&S

SCALE
N.T.S.

SHEET NO.

A 400

ALUMINUM TYPE:
 LOUVERS 6063-T5
 ALL OTHER COMPONENTS 6063-T6

STRUXURE™
 154 ETHAN ALLEN DR.
 DAHLONEGA, GA 30533
 (800) 303-5248



ENGINEERING EXPRESS®
 POSTAL ADDRESS:
 401 W. ATLANTIC AVE R10 #219
 DELRAY BEACH, FL 33444
 ENGINEERINGEXPRESS.COM

IF THIS SHEET DOES NOT CONTAIN AN ORIGINAL SIGNATURE & ENGINEER SEAL, THE ORIGINAL SHALL BE PROVIDED TO THE CLIENT. THIS SHEET IS A COPY OF THE ORIGINAL. THE ORIGINAL SHALL REMAIN IN DIGITAL FORMAT AND PRINTED COPIES OF THIS DOCUMENT ARE NOT TO BE REPRODUCED OR TRANSMITTED IN ANY FORM OR BY ANY MEANS, ELECTRONIC OR MECHANICAL, INCLUDING PHOTOCOPYING, RECORDING, OR BY ANY INFORMATION STORAGE AND RETRIEVAL SYSTEM. THIS SHEET IS TO BE CONSIDERED A COPYRIGHT AND IS NOT TO BE REPRODUCED OR TRANSMITTED IN ANY FORM OR BY ANY MEANS, ELECTRONIC OR MECHANICAL, INCLUDING PHOTOCOPYING, RECORDING, OR BY ANY INFORMATION STORAGE AND RETRIEVAL SYSTEM.

	DATE:	REVISION:
1		
2		
3		
4		
5		
6		
7		
8		
9		
10		
11		
12		

NOTES:

SHANE & ROBYN
MCCARTHUR
 8609 SE 78TH ST MERCER
 ISLAND, WA 98040

DESCRIPTION	REVISIONS
DATE	05/06/22
DRAWN BY	I&S
SCALE	N.T.S.
SHEET NO.	A 500